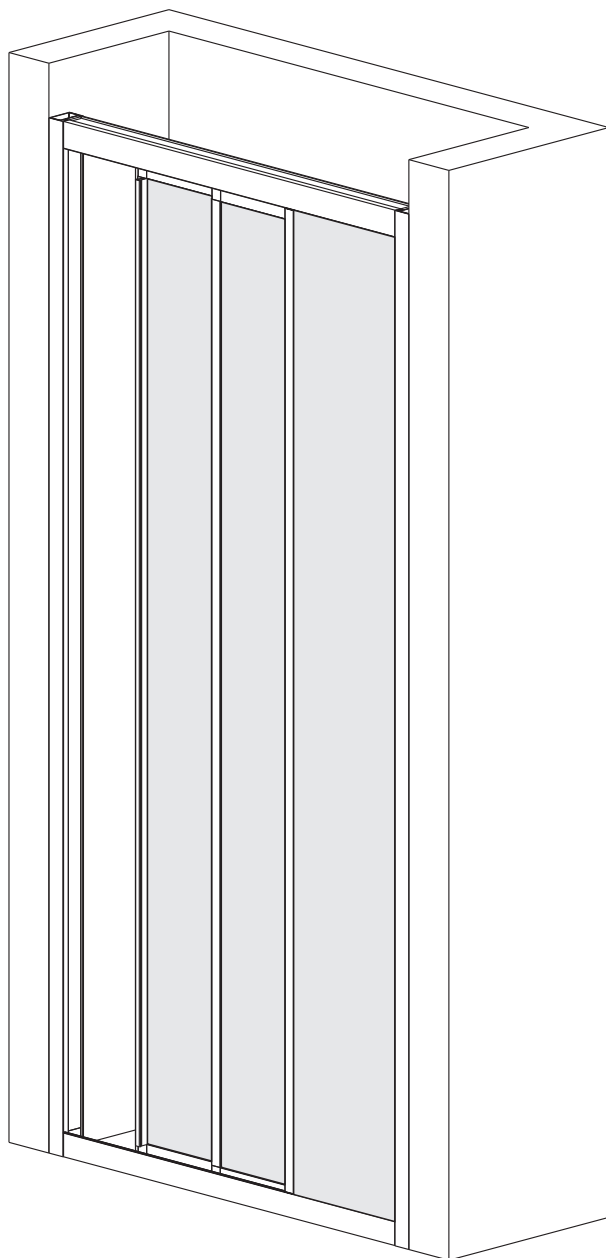


INSTRUCTION MANUAL



2 PEOPLE REQUIRED

***Please keep this manual and product code number for future reference
and for ordering replacement parts if necessary.***

GENERAL INSTRUCTIONS

- Read this manual carefully and completely before proceeding.
- It is recommended that you wear safety glasses at all times during the installation.

INSTALLATION OVER CERAMIC TILES

- If your shower door is to be installed over ceramic tiles, the tiles should lay completely under the wall jamb.
- Silicone should be used to seal the gap where the ceramic tiles meet the fixed panel.

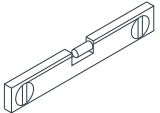
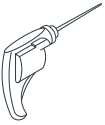


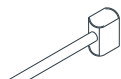

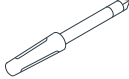
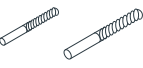
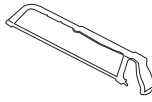

NOTICE

- Caulking: no sealant is required inside the shower, unless otherwise stated.
- Some models are equipped with clear sealing gaskets.

CARE FOR YOUR SHOWER DOOR

- Never use scouring powder pads or sharp instruments on metal pieces or glass panels.
An occasional wiping down with a mild soap diluted in water is all that is needed to keep the panels and aluminum parts looking new.
- We recommend wiping the glass panels with a squeegee after each use.

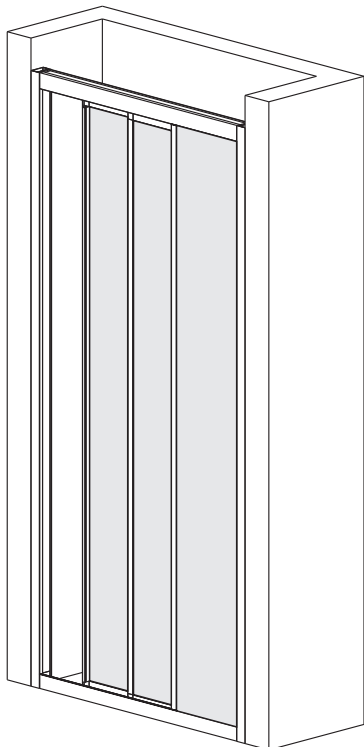
TOOLS REQUIRED

 SPIRIT LEVEL	 POWER DRILL	 PENCIL	 SILICONE	 MALLET
 TAPE MEASURE	 SCREW DRIVER	 6mm&3mm(1/4" & 1/8") DRILL BITS	 HACKSAW	 SAFETY GLASSES

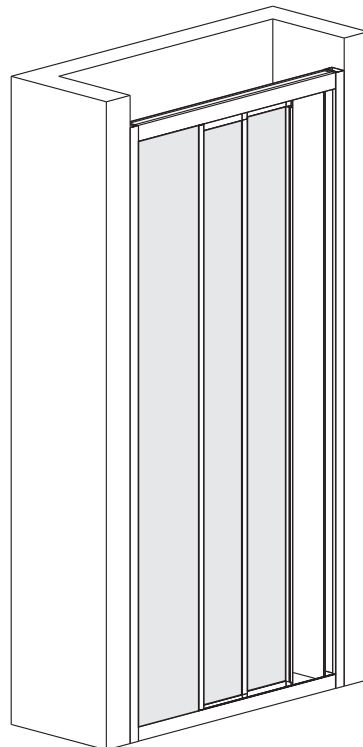
* Use a 6mm(1/4") drill bit for ceramic when drilling into ceramic tiles

CHOOSE A CONFIGURATION

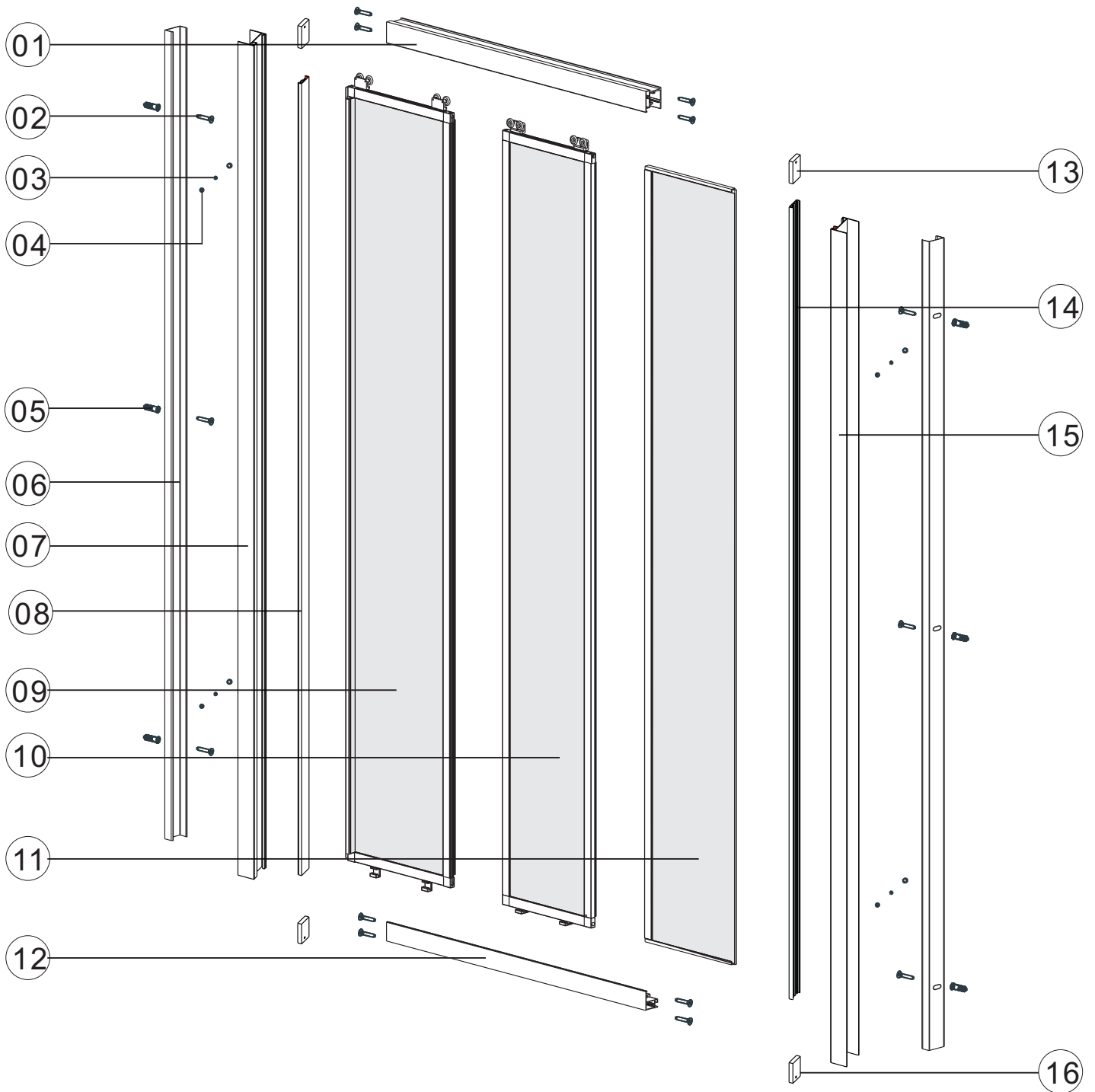
Open from the left


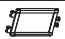

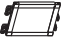

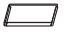

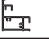



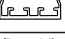

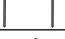




Open from the right



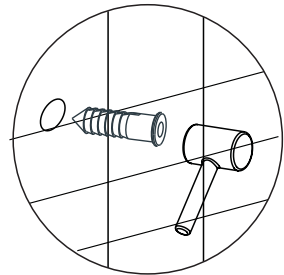
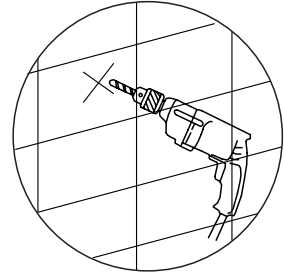
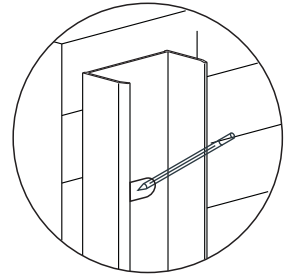
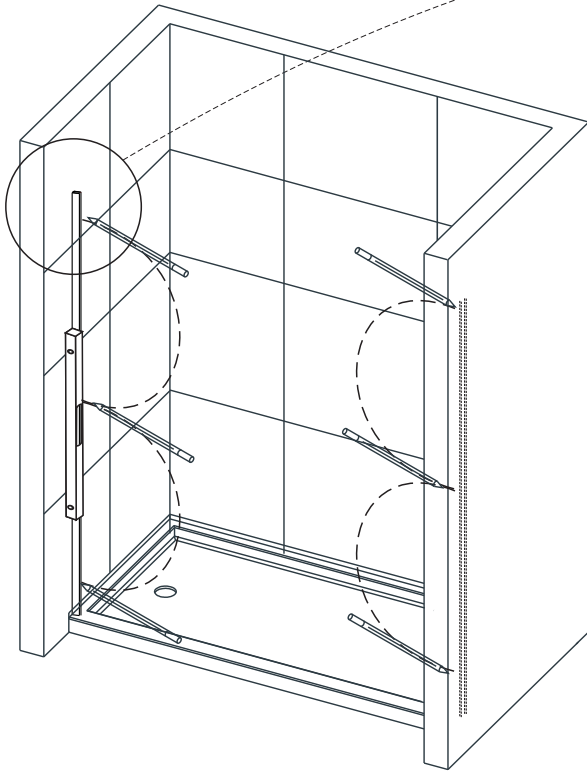
PARTS LISTING



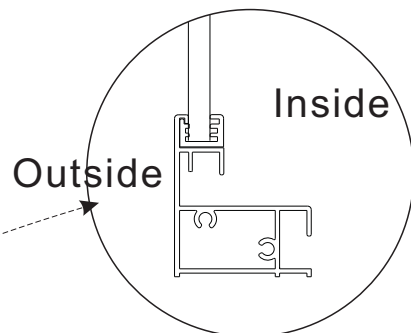
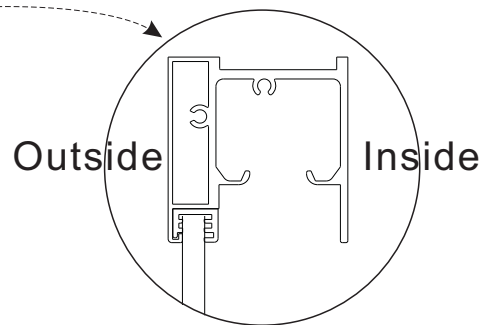
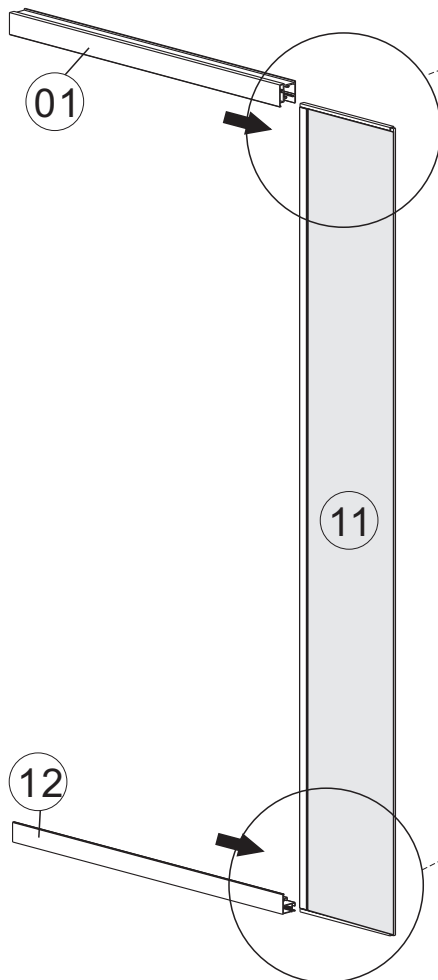
ITEM	PARTS	DIAGRAM	QTY	ITEM	PARTS	DIAGRAM	QTY
1	Top Rail		1	9	Door panel		1
2	Screw St4x20		14	10	Middle panel		1
3	Screw St4x12		4	11	Fixed panel		1
4	Screw cover cap		4	12	Bottom Rail		1
5	Wall plugs Ø6		6	13	Big Cushion block		2
6	Wall Channel		2	14	Upright Frame Cover(Fixed panel)		1
7	Upright Frame for Door Side		1	15	Upright Frame for Fixed Panel		1
8	Upright Frame Cover(Door side)		1	16	Small Cushion block		2

OPEN FROM THE LEFT

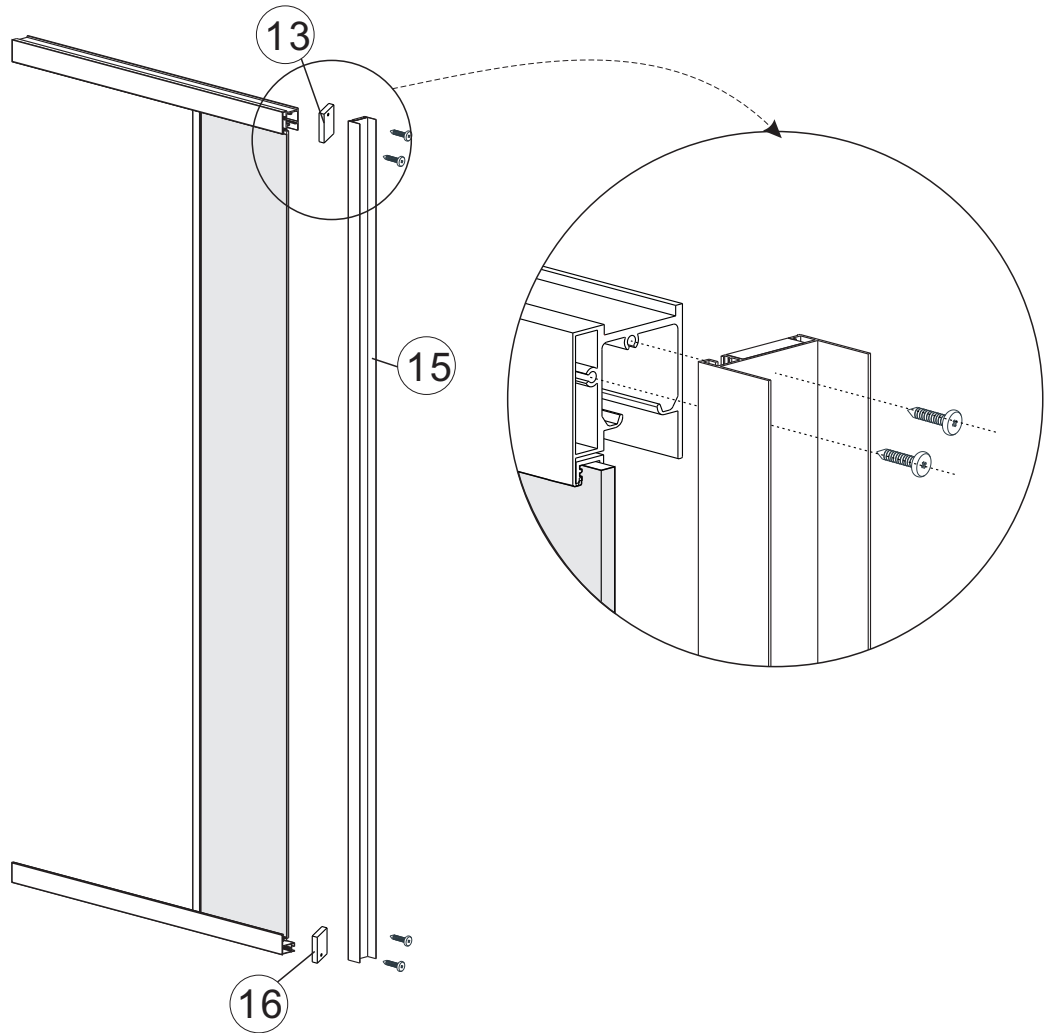
1



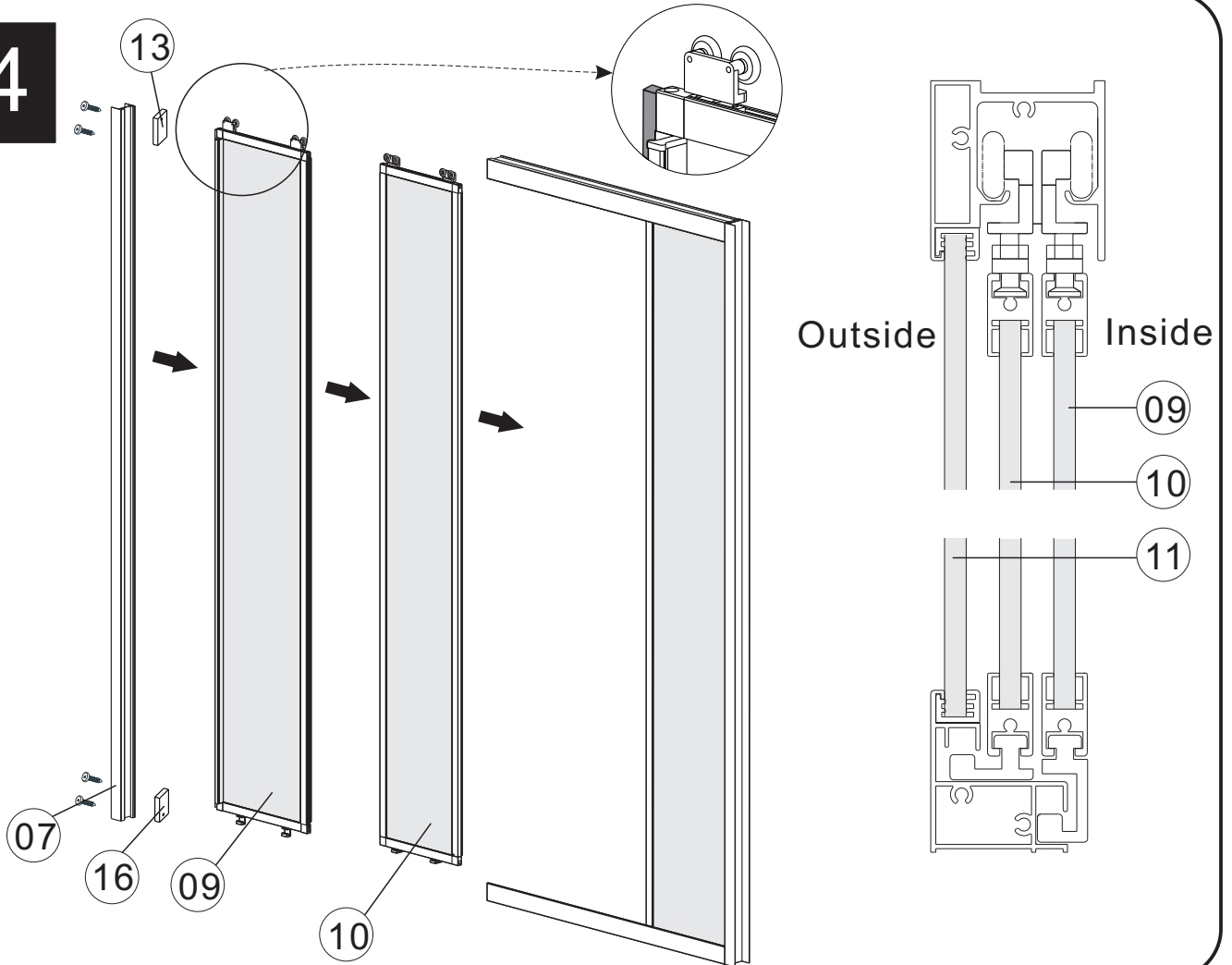
2



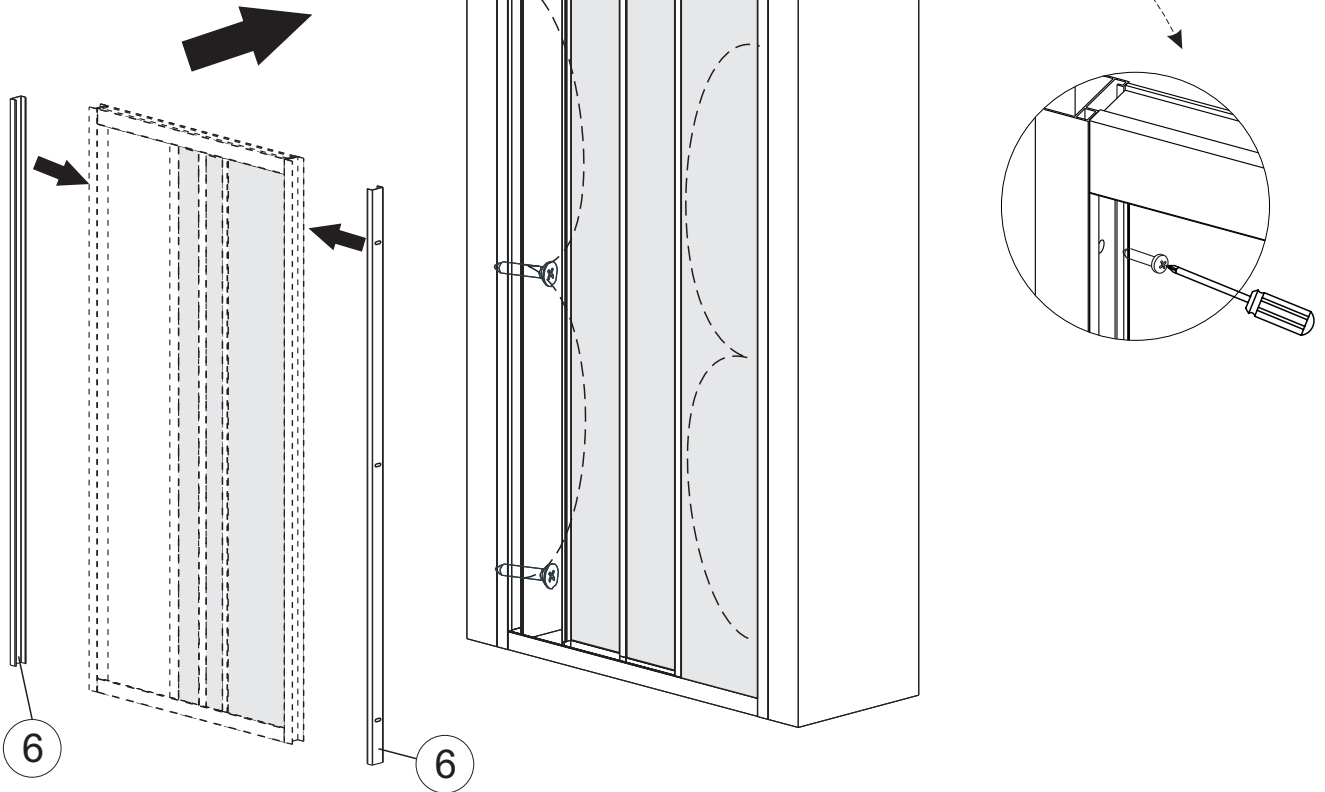
3



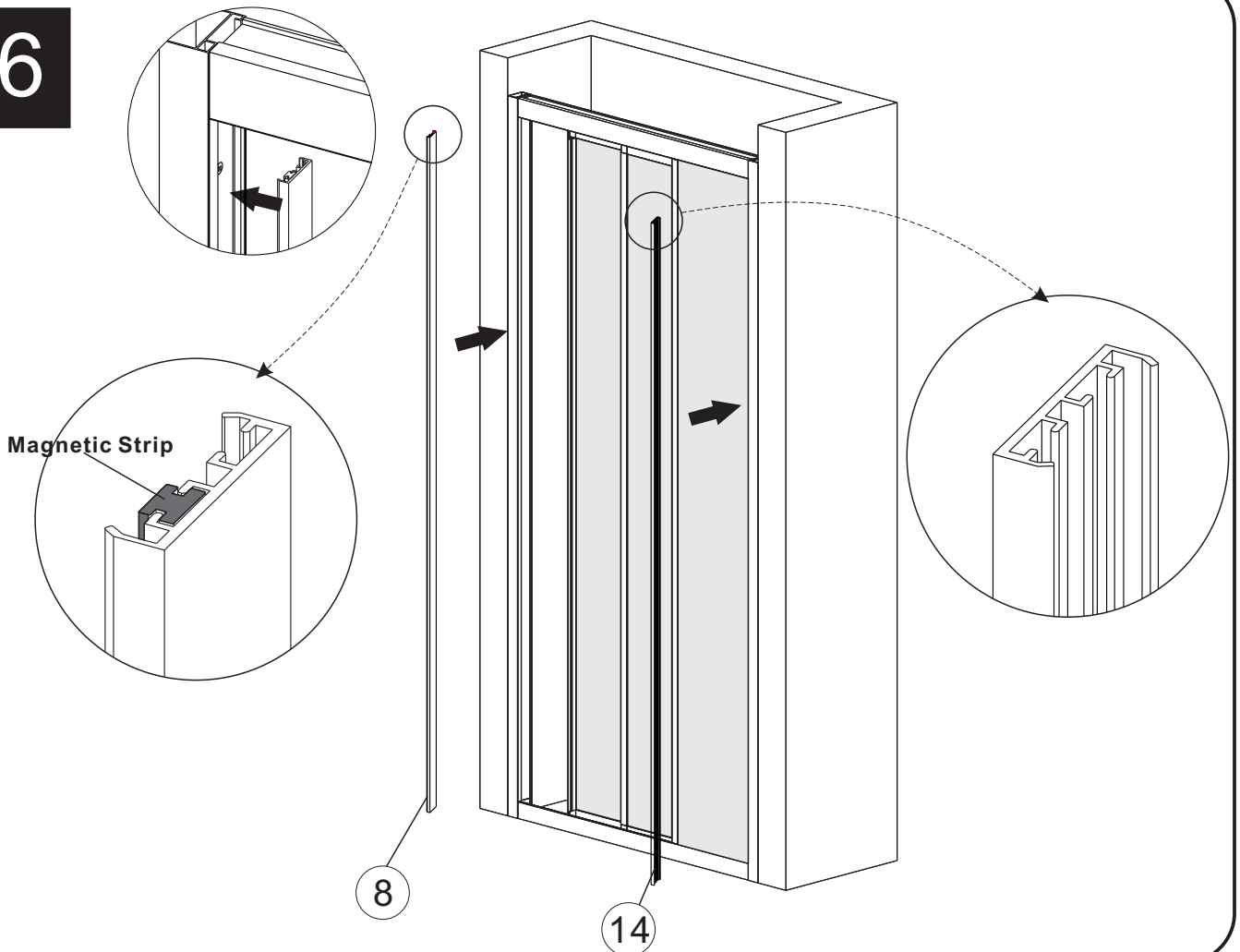
4



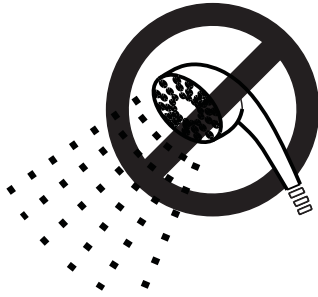
5



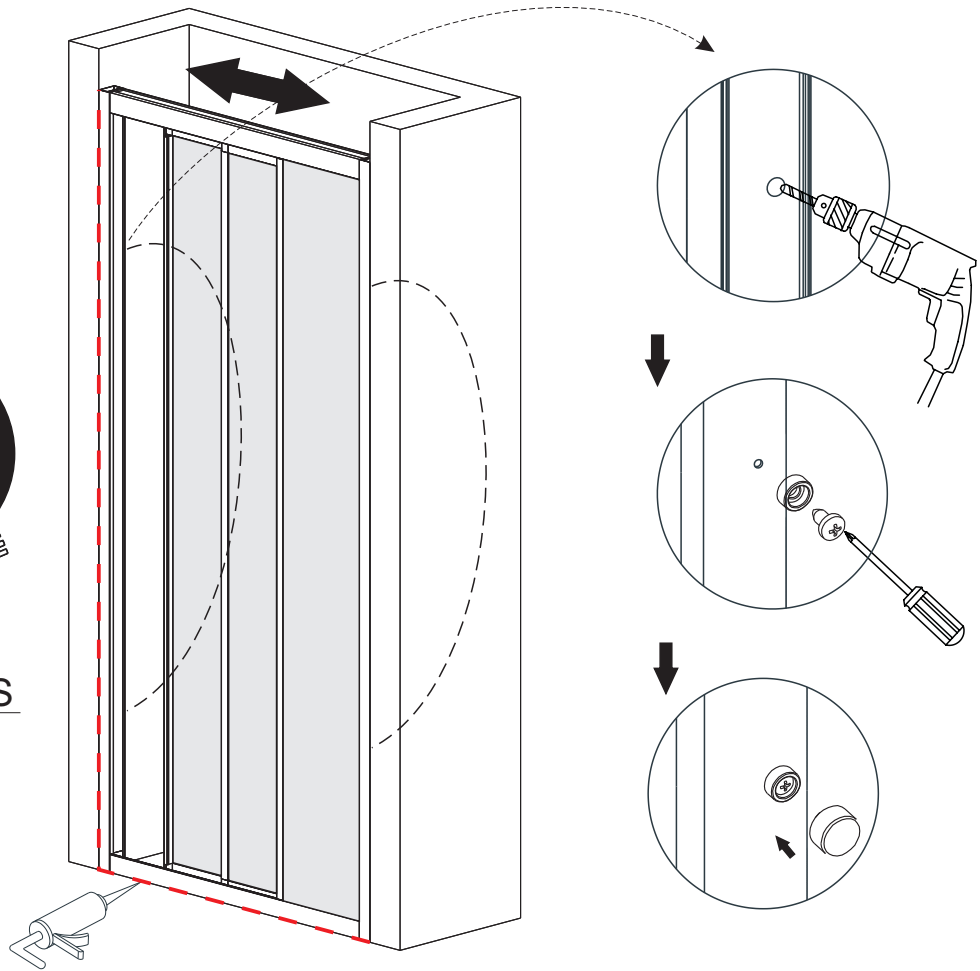
6



7

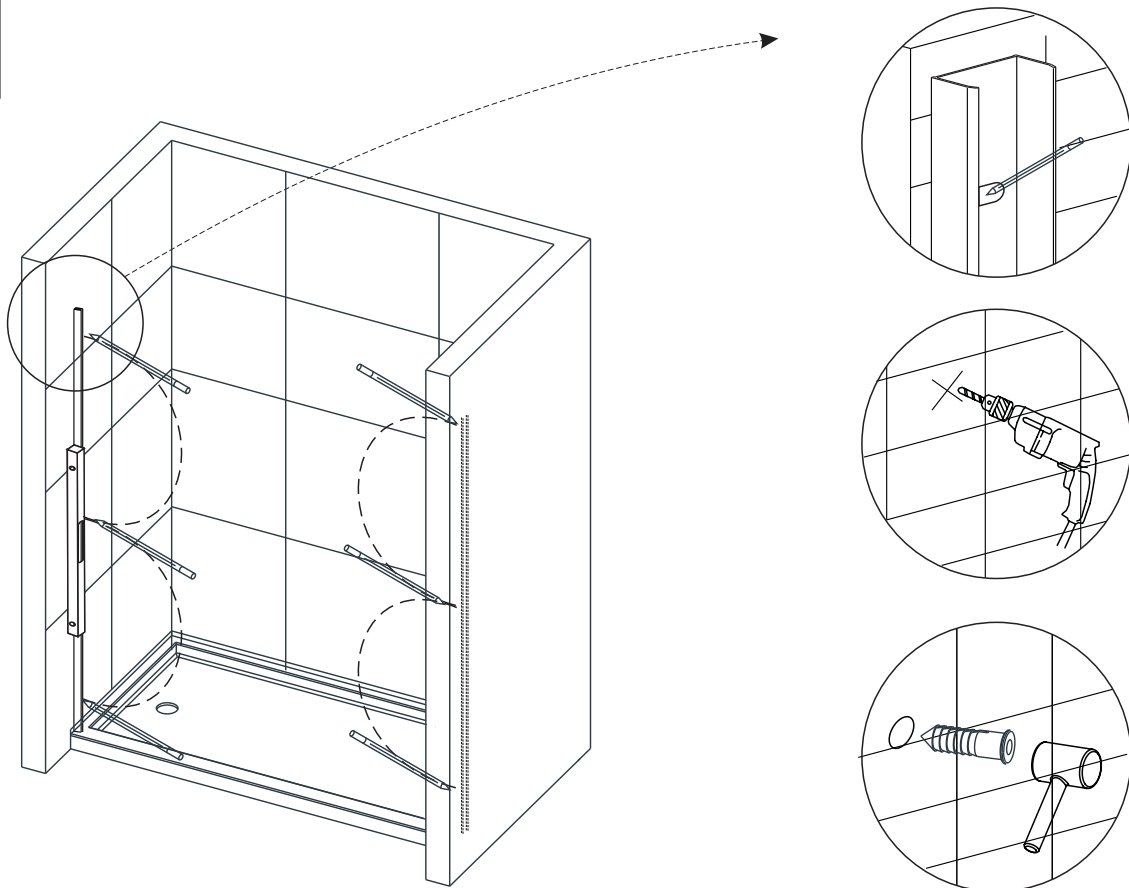


24 HOURS

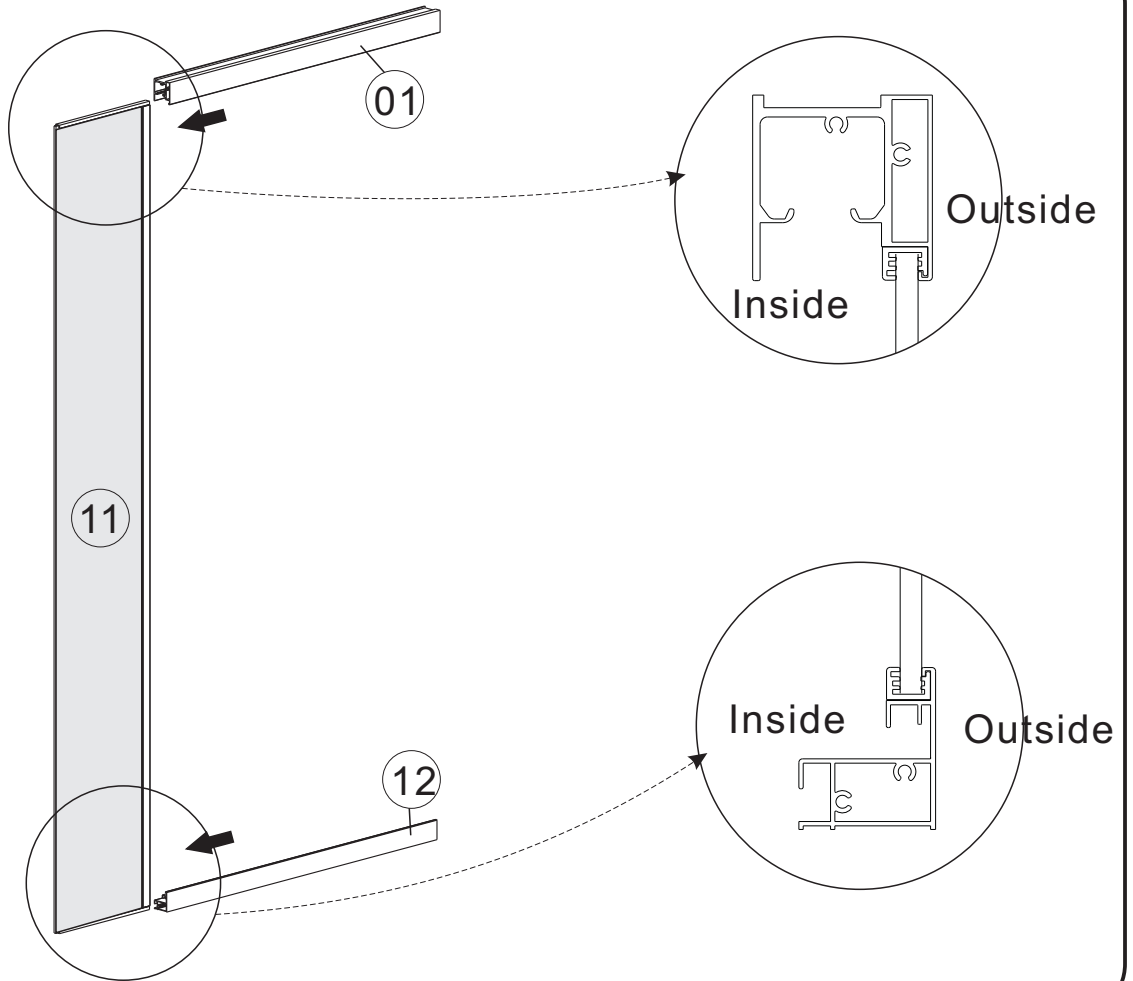


OPEN FROM THE RIGHT

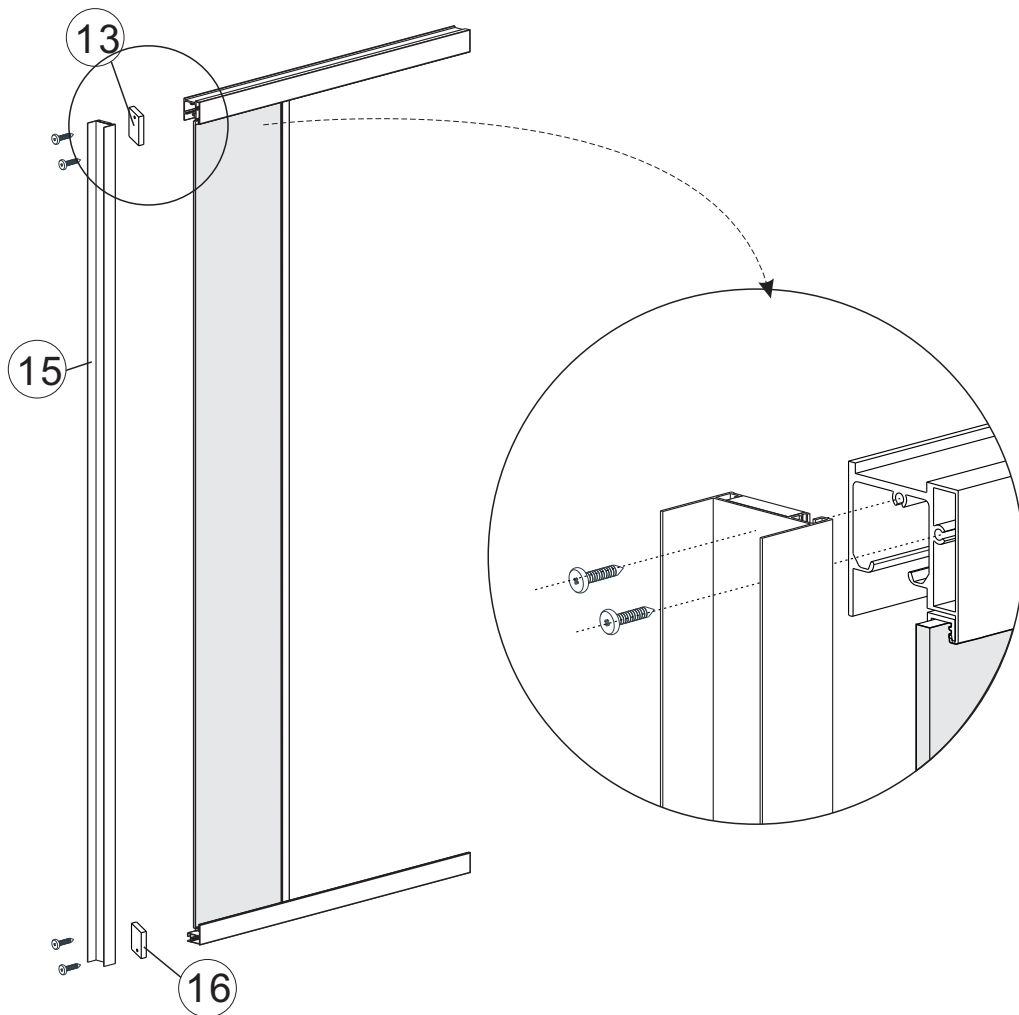
1



2



3



4

Magnetic Strip

Change

Magnetic Strip

09

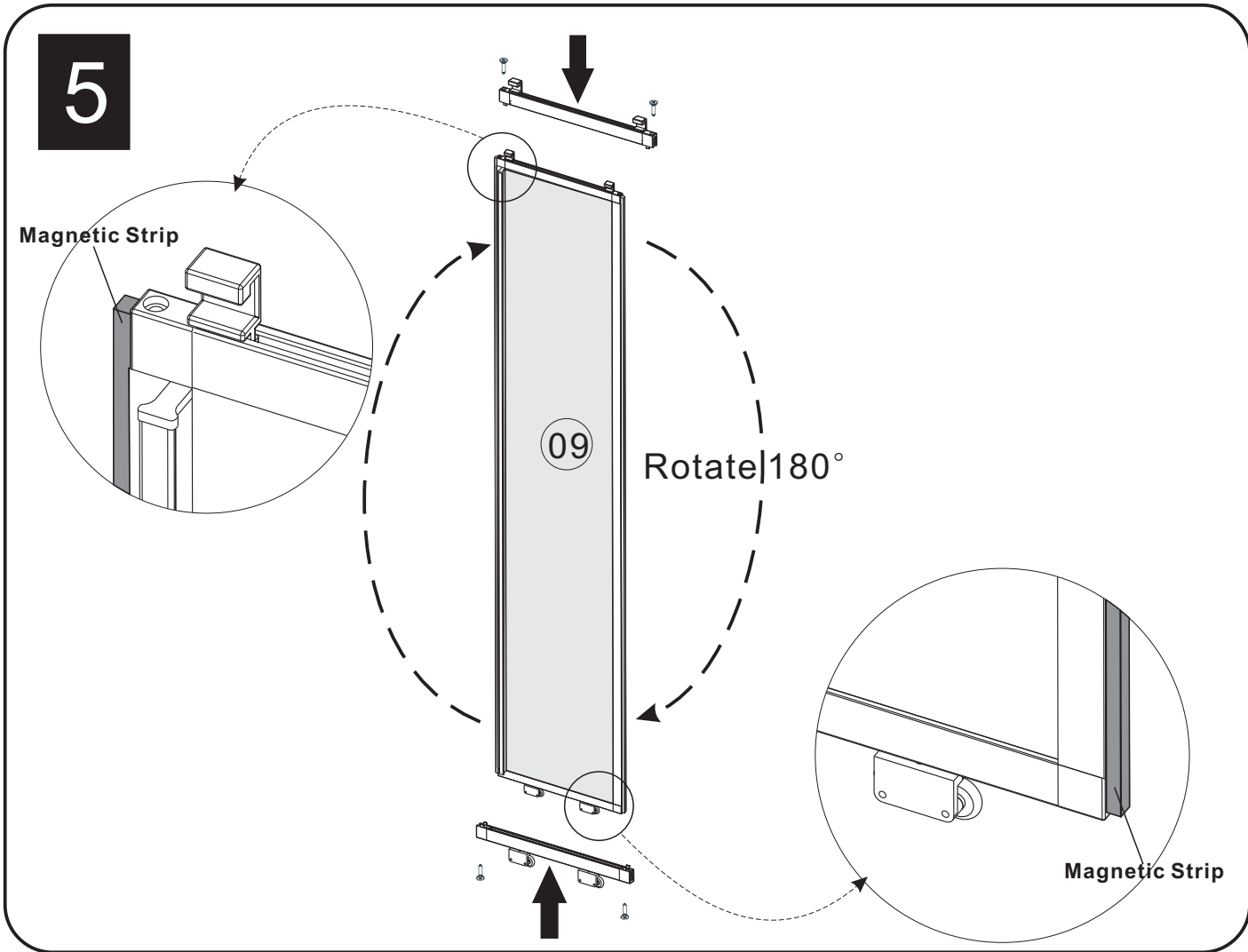
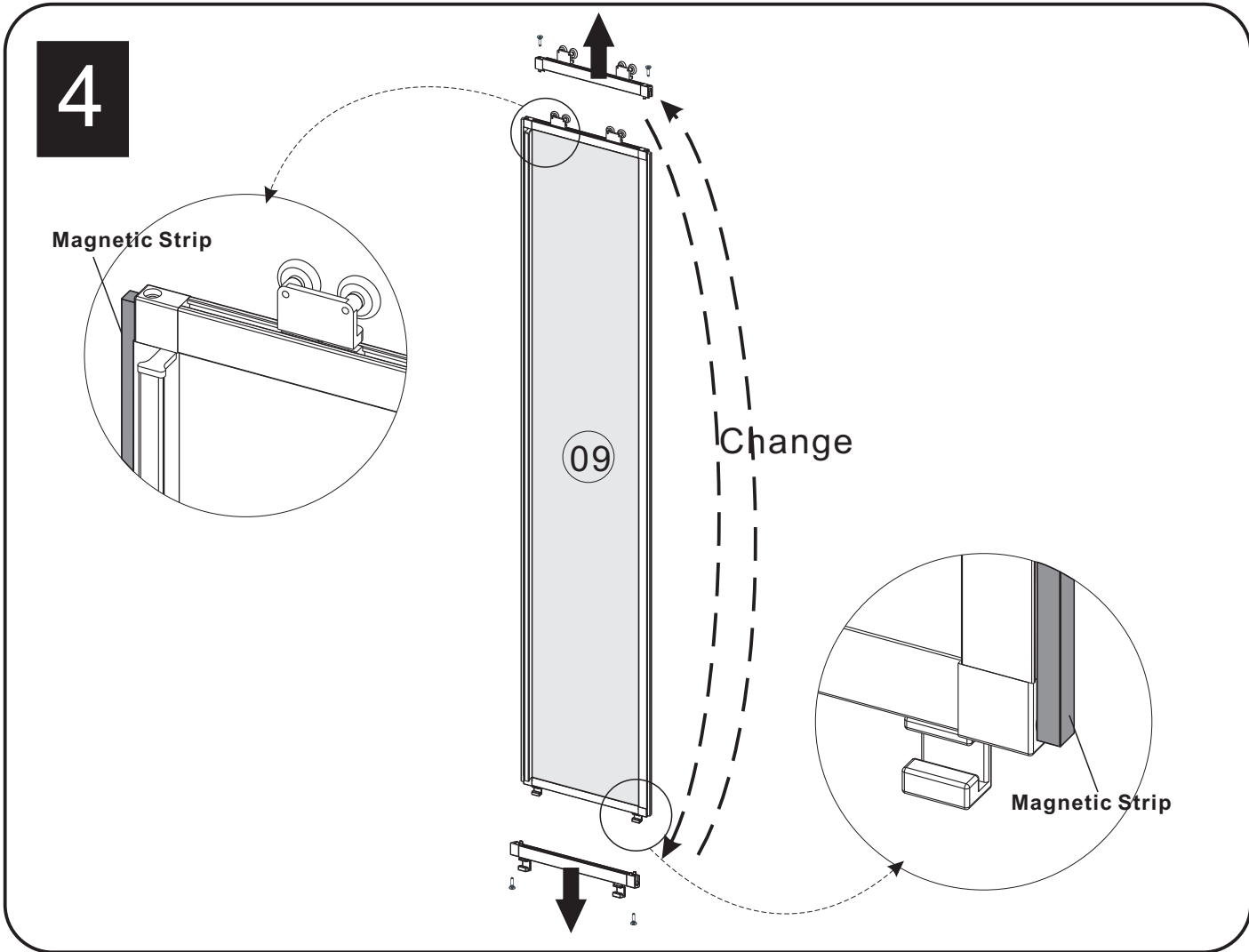
5

Magnetic Strip

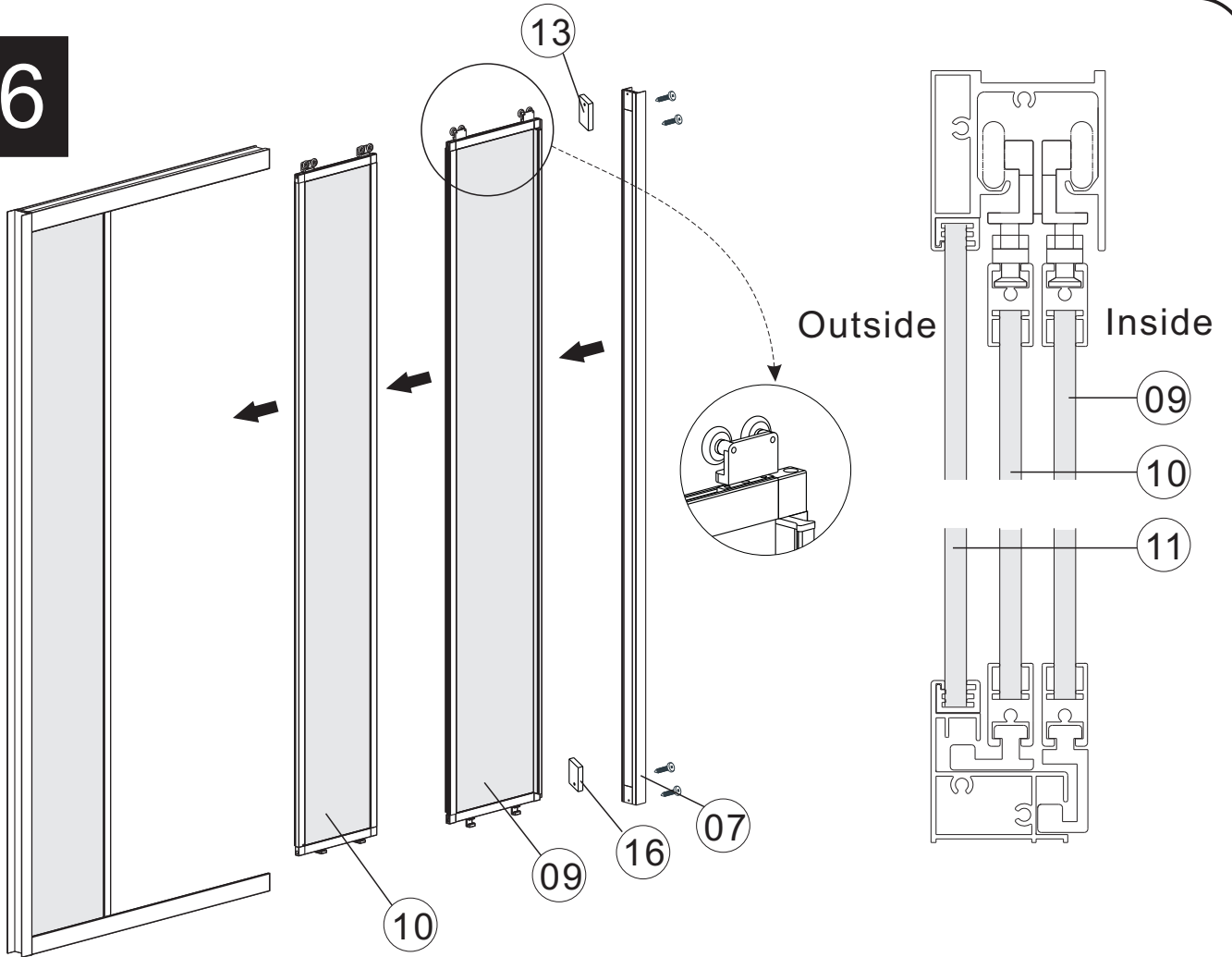
Rotate 180°

Magnetic Strip

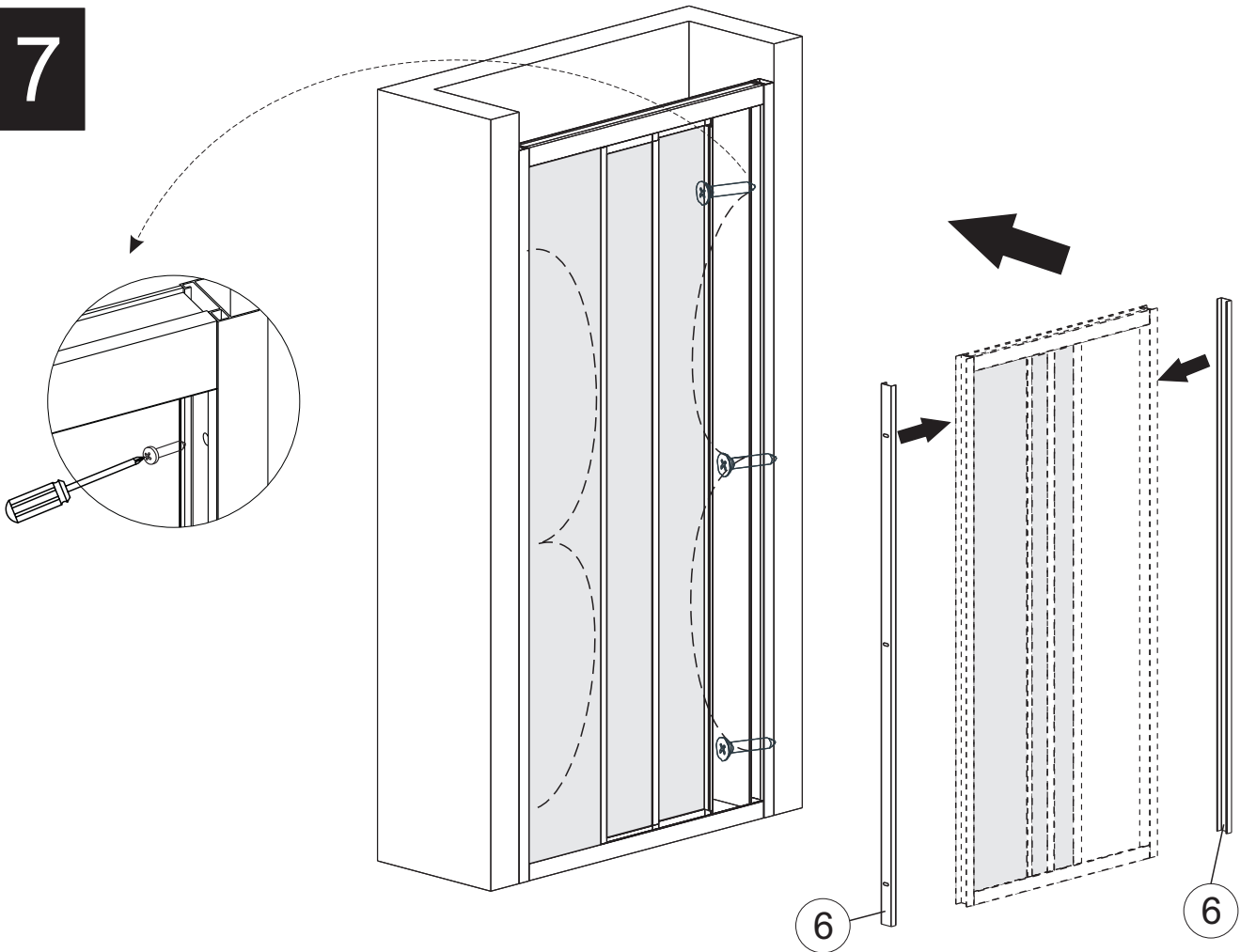
09



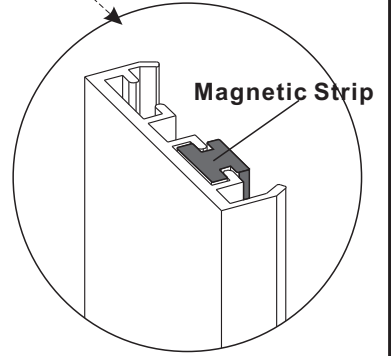
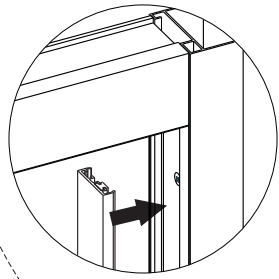
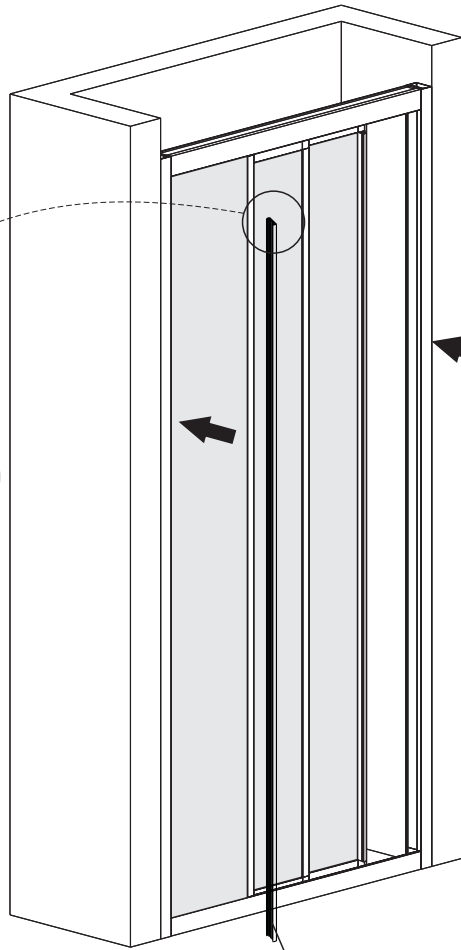
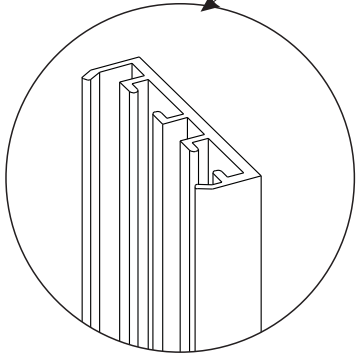
6



7



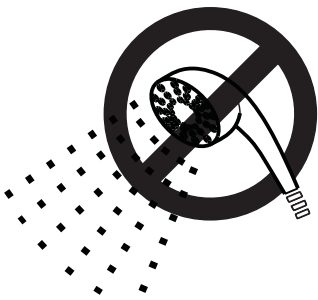
8



8

14

9



24 HOURS

