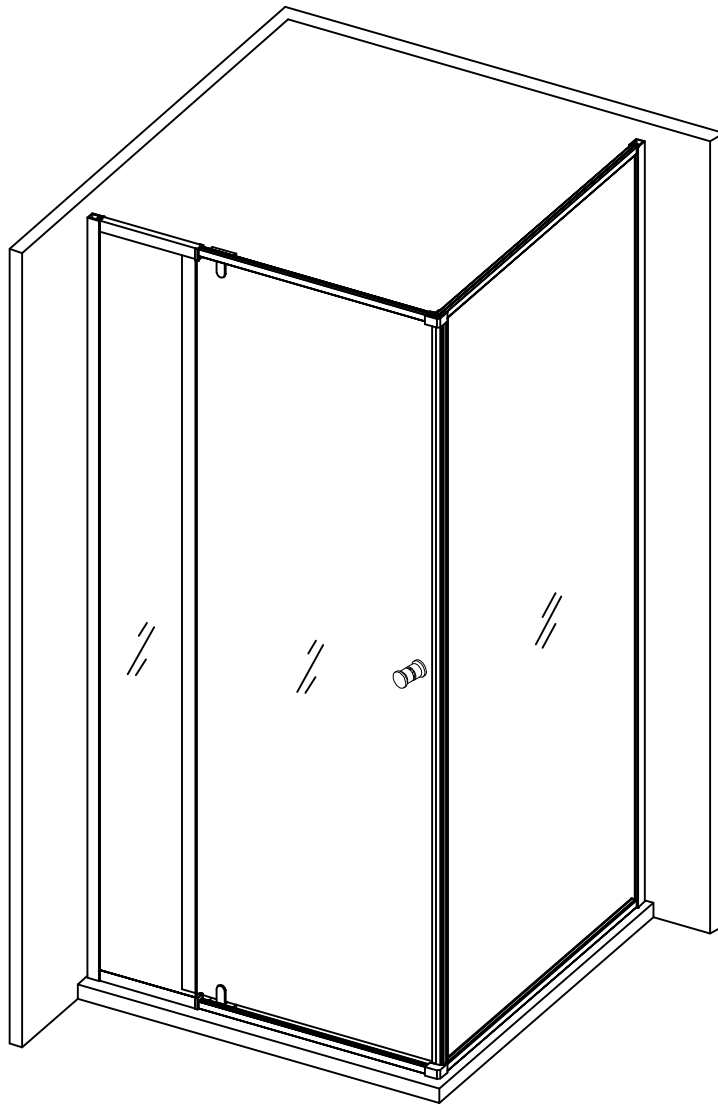


INSTALLATION MANUAL



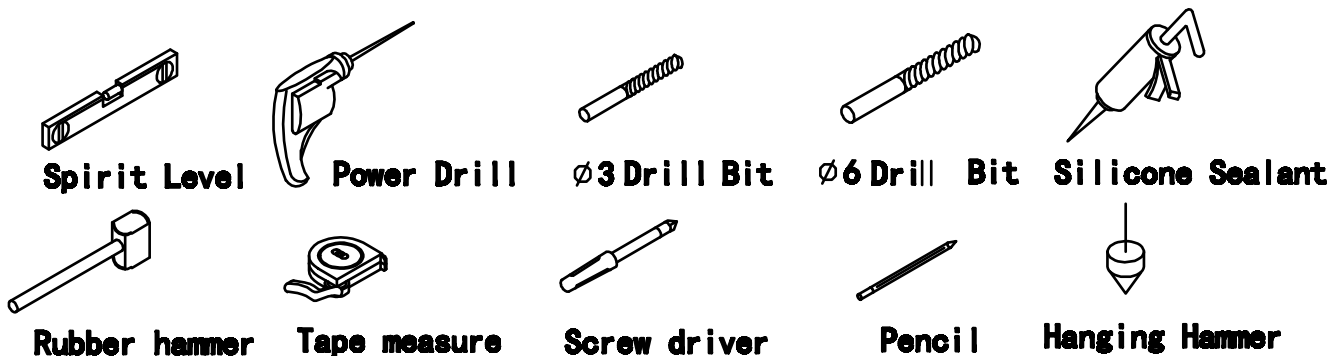
INSTRUCTIONS FOR ASSEMBLY, INSTALLATION AND USE

Model Code: CVP-025-01

TOOLS REQUIRED (NOT SUPPLIED)

-When you are ready to start, make sure that you have the following items on hand. Ensure you have sufficient space for assembly, and that the area is clean and dry. Two people are required for the installation.

We recommend that a technically competent installer should undertake installation to ensure your products are installed to relevant building codes and standards, and to maintain your product warranty.



PRE-INSTALLATION AND TECHNICAL REQUIREMENTS

- Carefully remove product from packaging and inspect all components thoroughly

- All dimensions are shown in millimeters, except where otherwise indicated.

-Ensure that the enclosure set is fitted to a level floor and level vertical & horizontal walls.

Please note: The wall fixings included with this product are suitable for solid walls only. Plasterboard may require specialist fixings (not supplied).

IMPORTANT SAFETY NOTES

- We recommend a two person lift in handling all glass panels to avoid injury

- Please handle all glass with care, avoiding knocks and shock loading to all sides and edges.

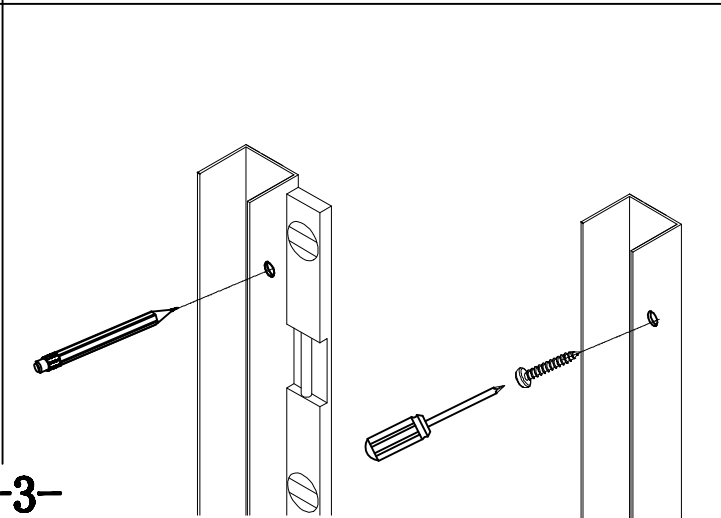
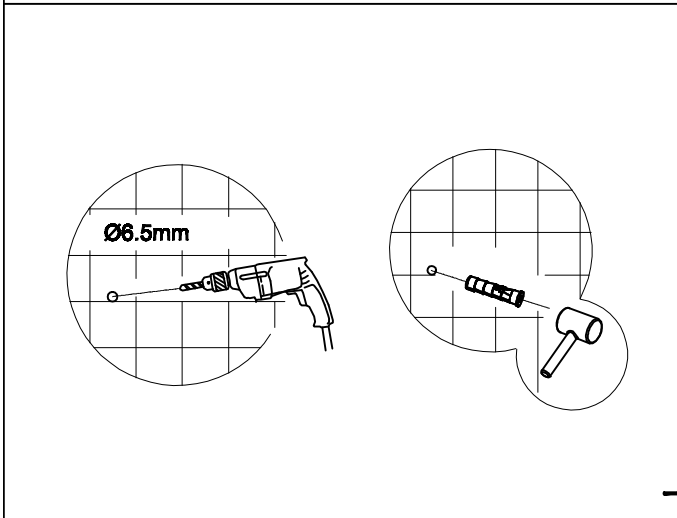
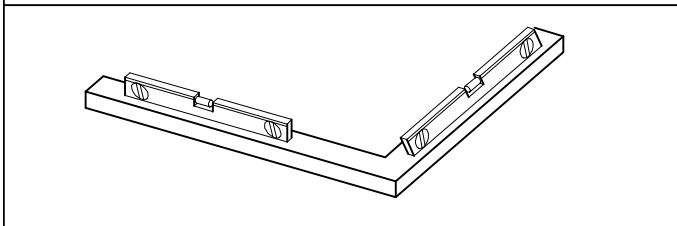
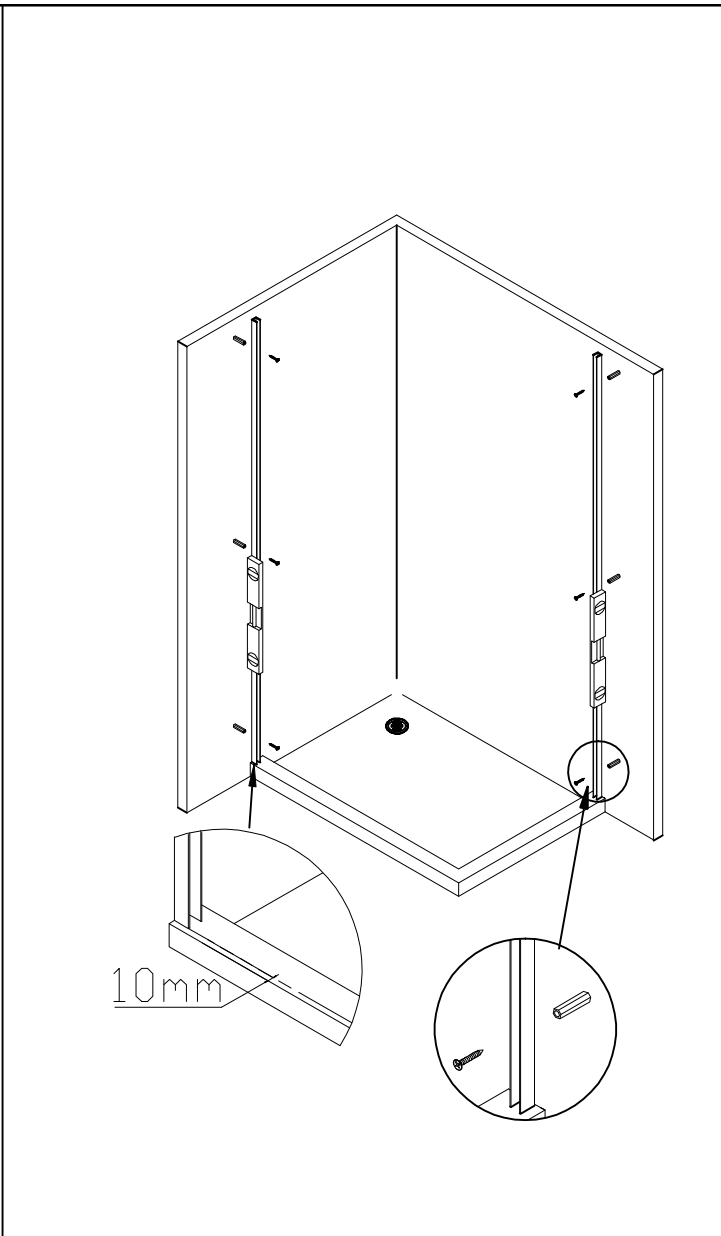
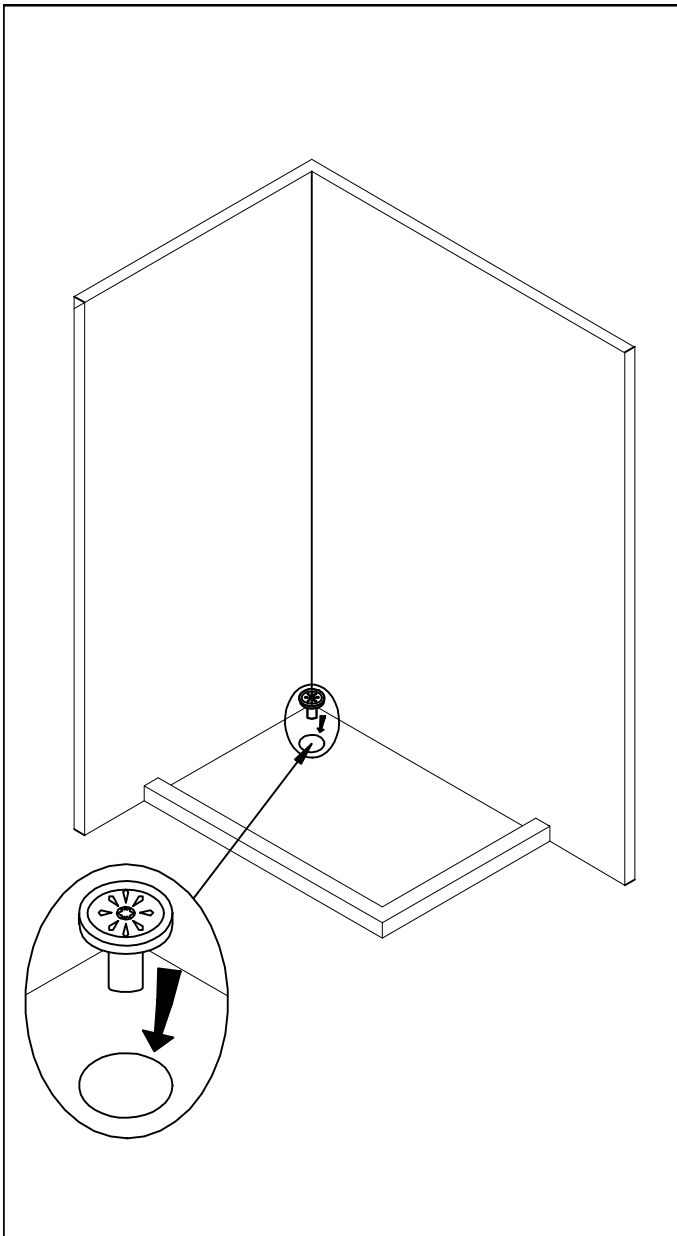
Safety glass cannot be reworked.

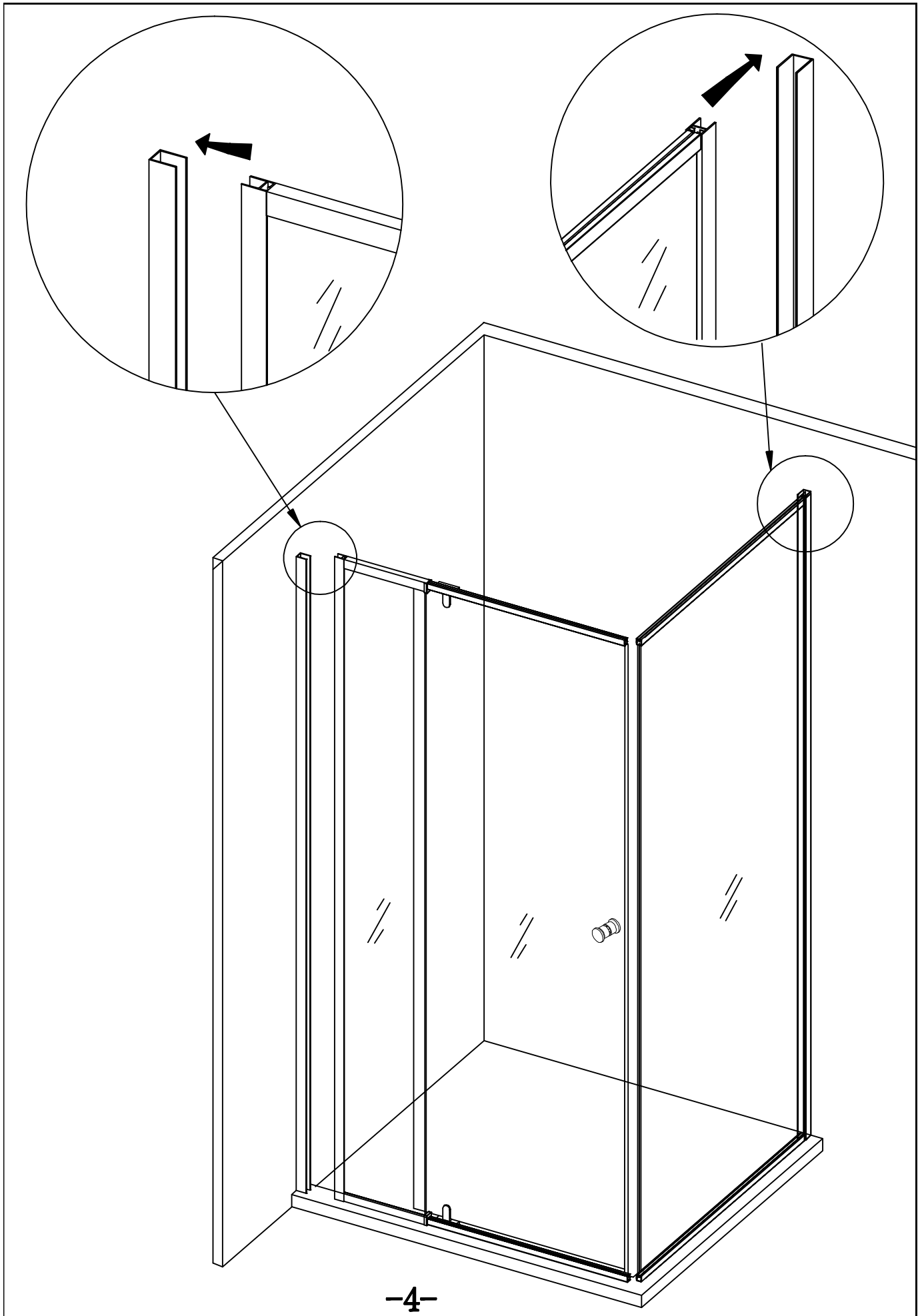
- Care should be taken when drilling into walls to avoid hidden pipes or electrical cables.

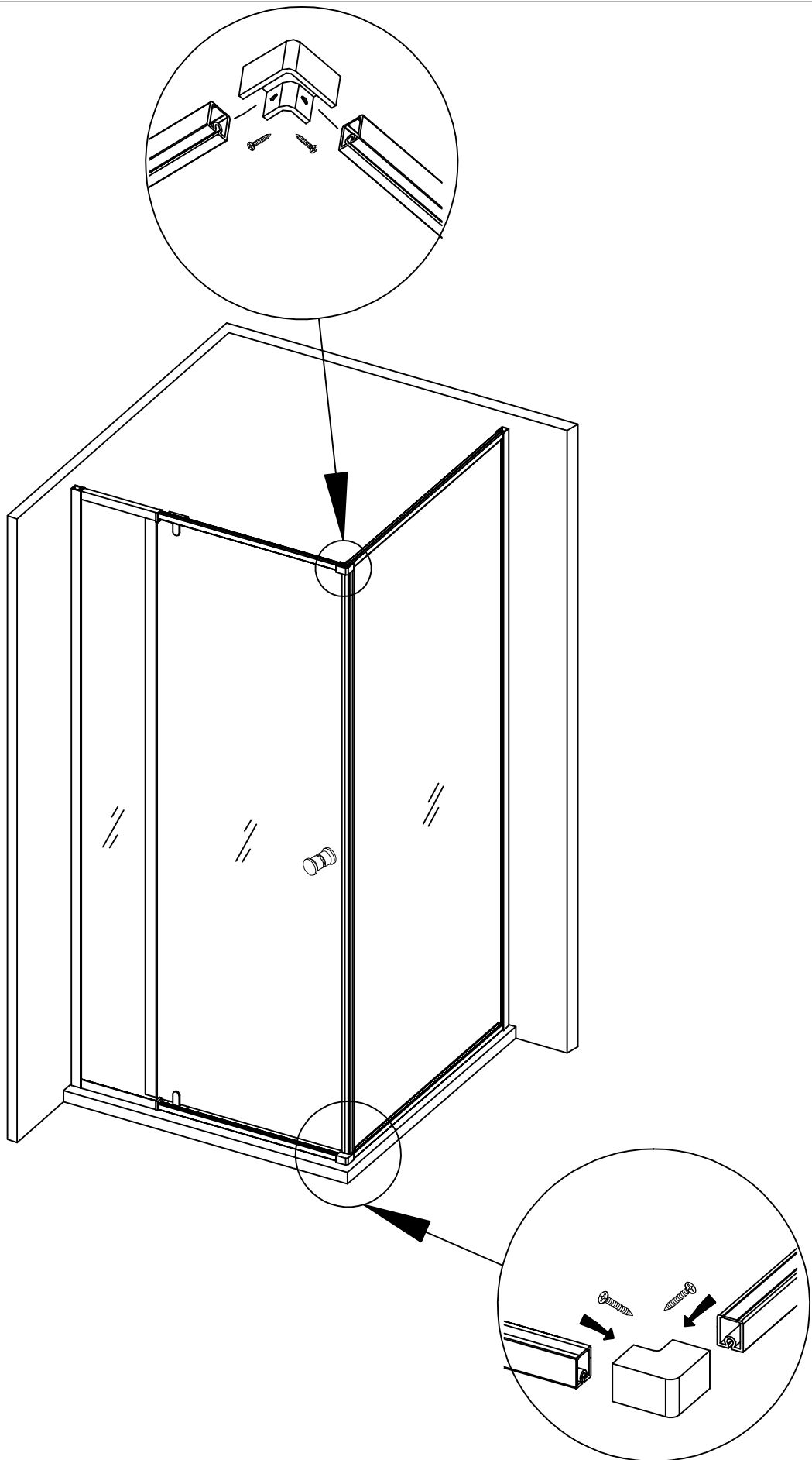
AFTERCARE INSTRUCTIONS

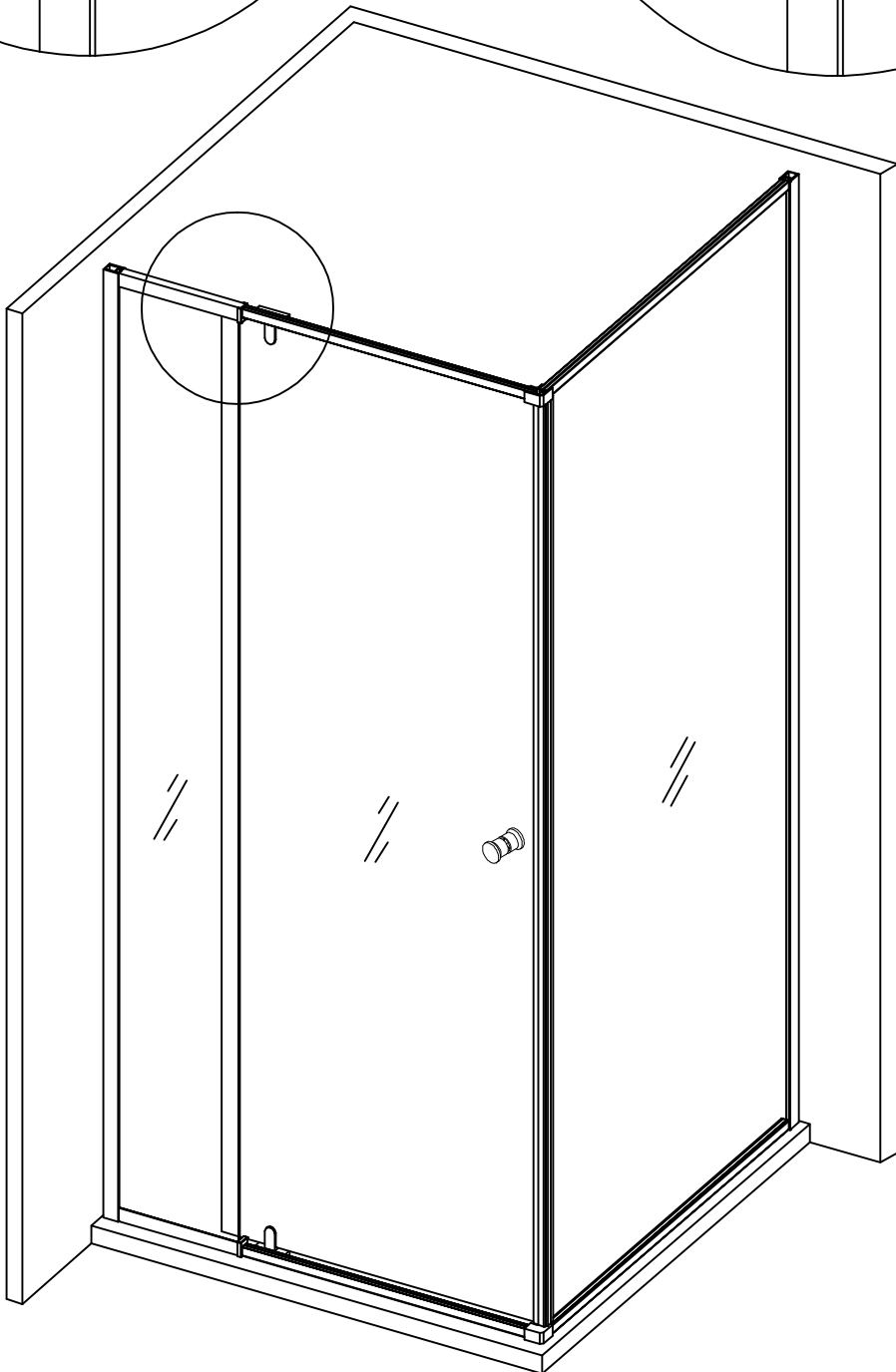
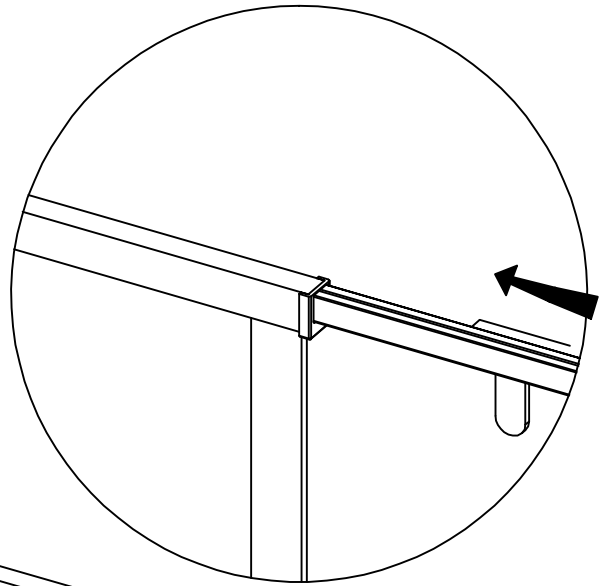
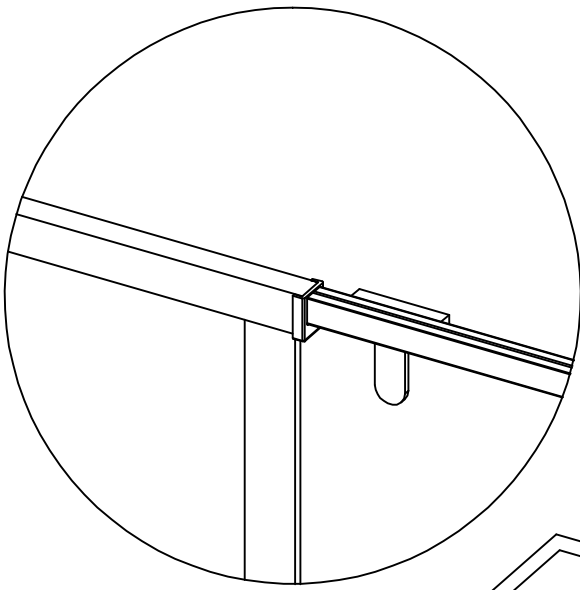
- Soap and water will be adequate to clean the glass - a glass cleaner can be used if required.

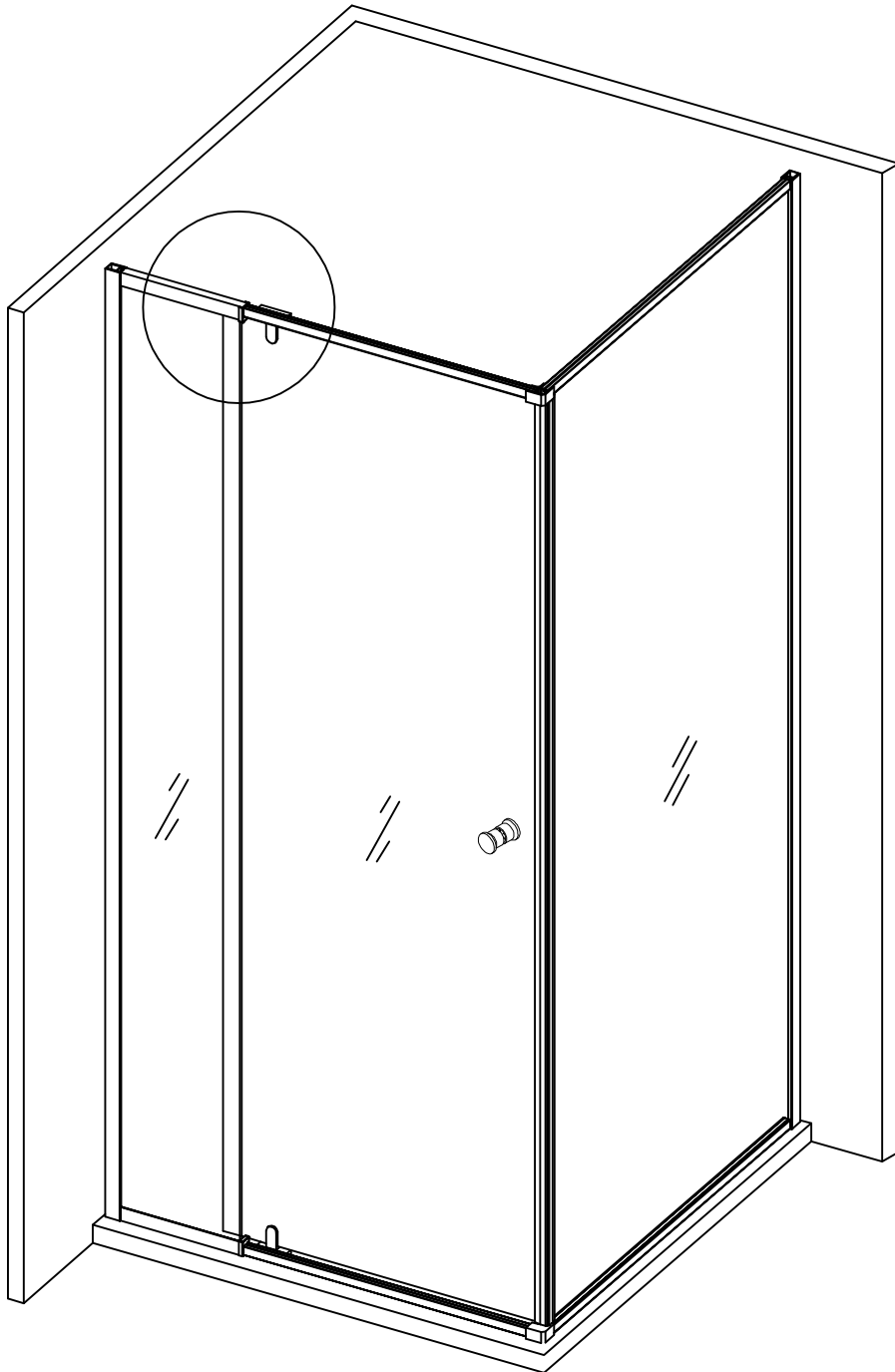
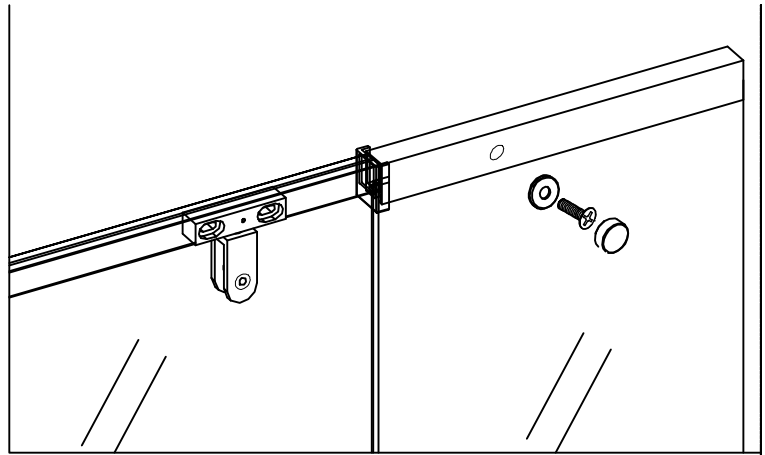
- In hard water districts, insoluble lime salts may be deposited on the glass. If this deposit is allowed to build up it becomes increasingly difficult to remove. Regular cleaning will minimise build up.

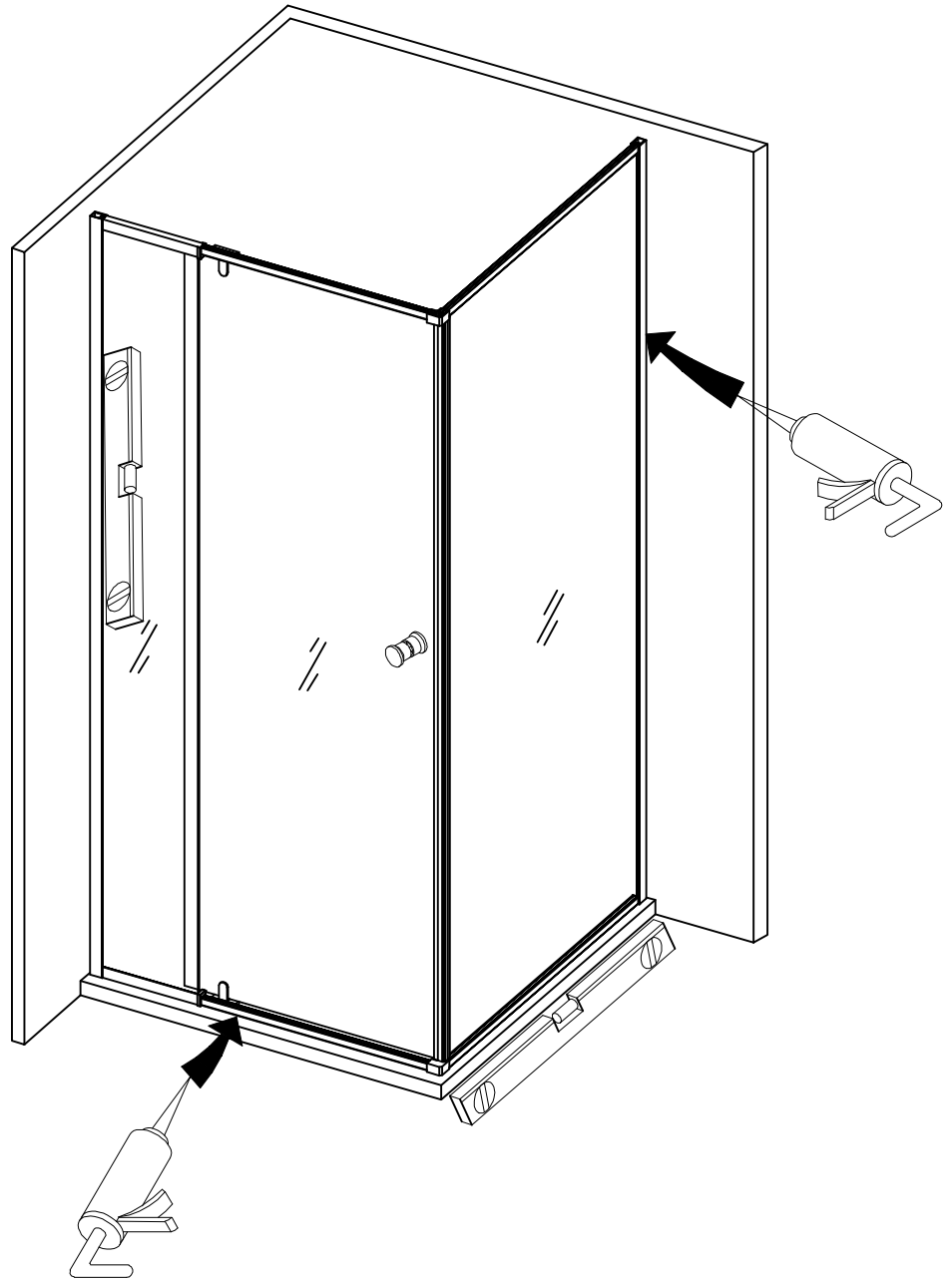












24 Hours

