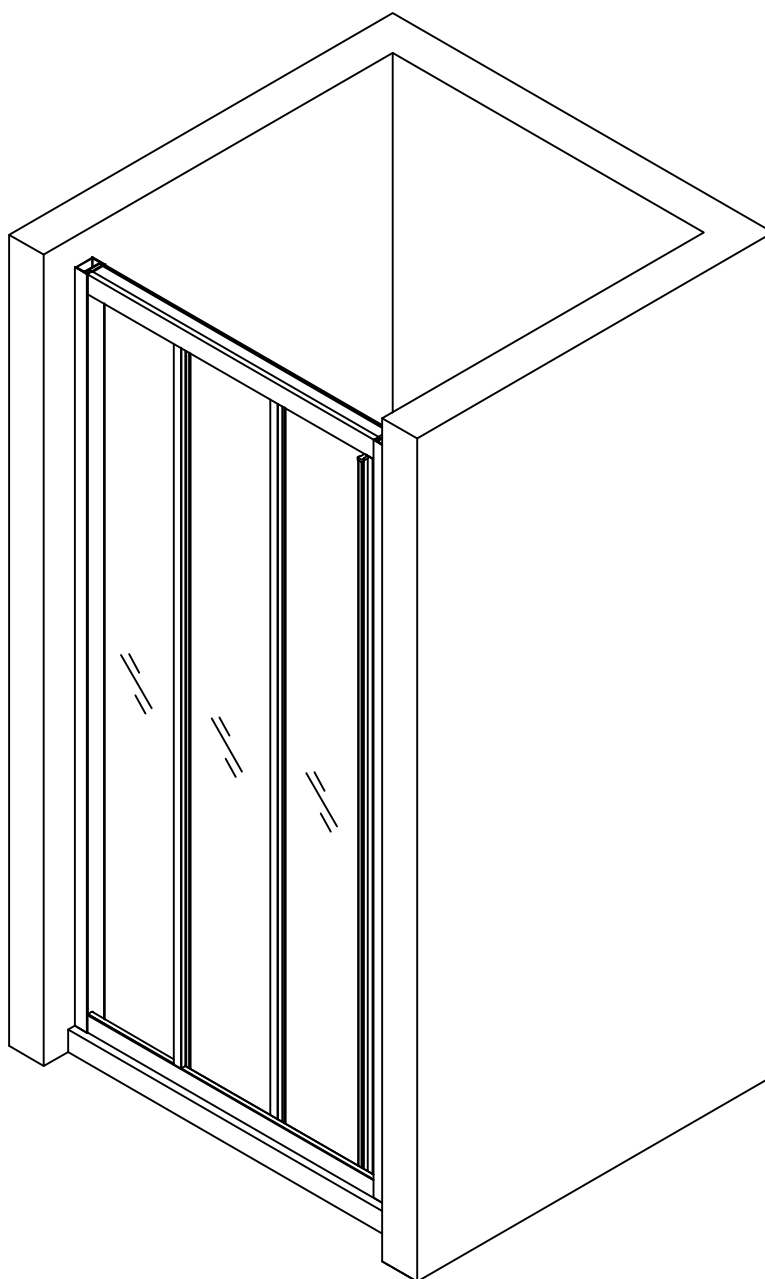


# **SHOWER ENCLOSURE**

## **INSTALLATION INSTRUCTIONS**

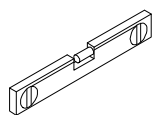


**MODEL:CVP036**

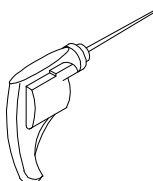
# IMPORTANT

1. Prior to installation, examine all boxes and packages for shipping damage, and count carefully according to your packing slip. After opening all boxes and packages, read this instruction carefully. Check if all needed parts are included in the package by checking off the components on the "Detailed Diagram of Shower Enclosure Components". If the unit has been damaged, which contains a finishing defect, or missing parts, please contact the supplier for replacements within 3 Business days. Please note that Supplier will not replace any damaged products or missing parts for free after 3 business days or if the product has been installed.
2. Prior to installation, please ensure that the surface is level and solid and will be able to support the total weight of the unit. Also make sure that the walls are plumb. Depending on the type of unit you are installing, some adjustments in leveling may be necessary. However, irregular installation surface level or out-of-square conditions can result in serious problems for your installation. Please note that some adjustments and drilling may be necessary. Please protect all primary surfaces of the product during installation.
3. Note: This door is reversible for right or left-hand door installation. The right-hand door installation is shown as an example in this manual. For the left-hand door installation, simply begin on the opposite wall and reverse the orientation of the steps shown.

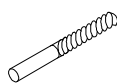
## Tools Required



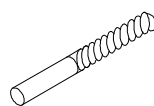
Level



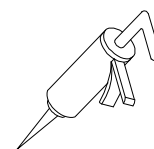
Electric Drill



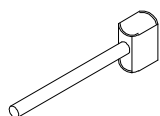
Ø3 Drill Bit



Ø6 Drill Bit



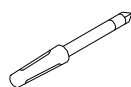
Silicone Gun



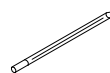
Rubber hammer



Tape Measure



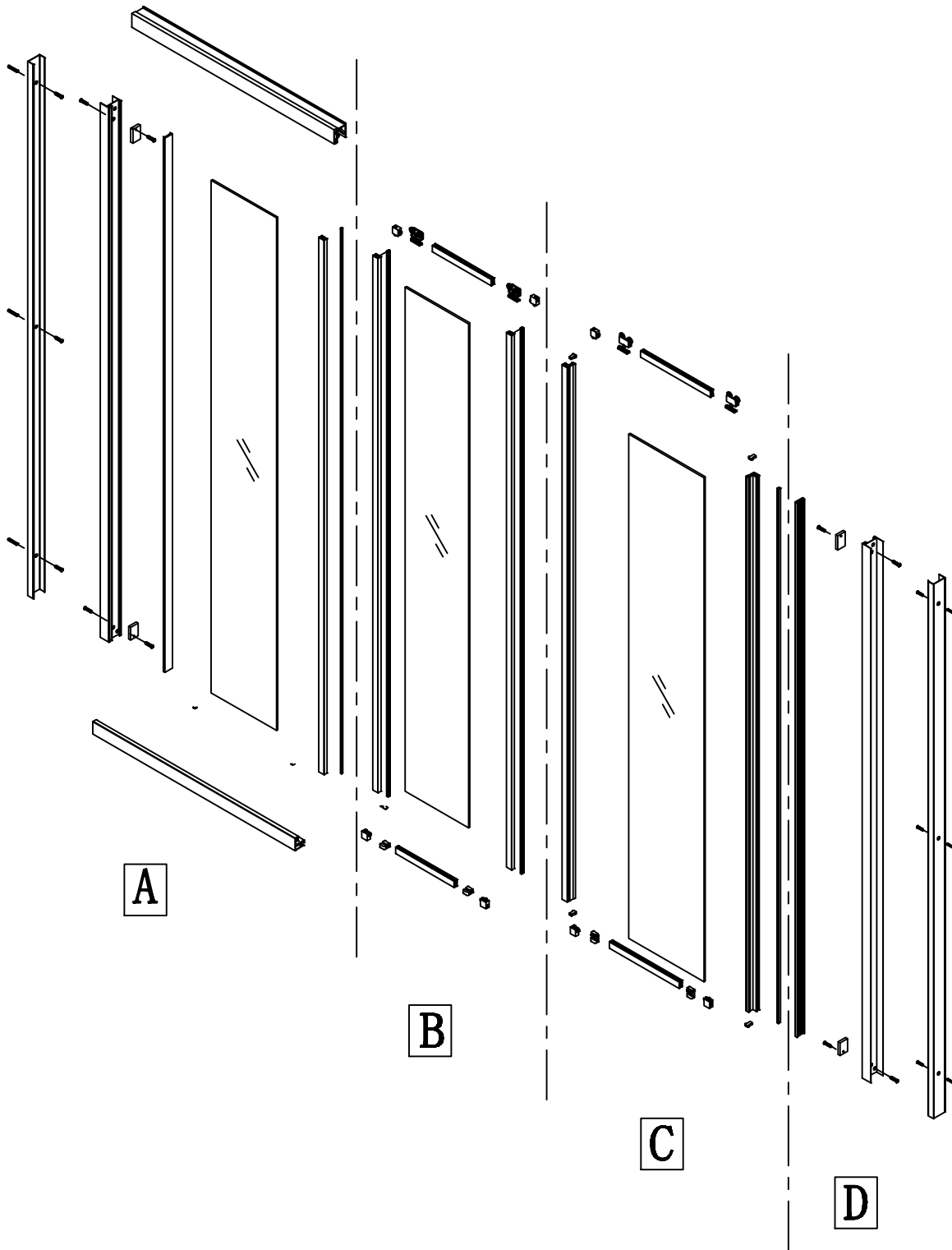
Phillips  
Screwdriver



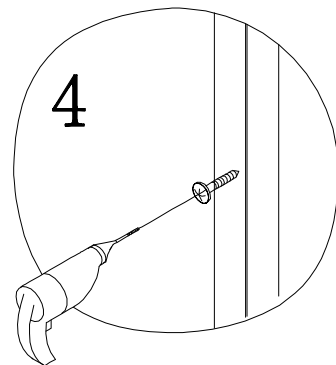
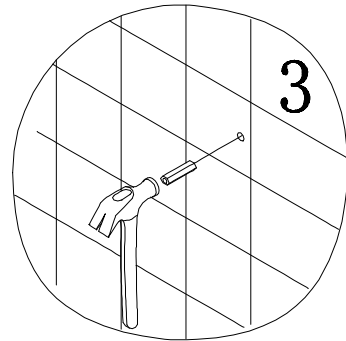
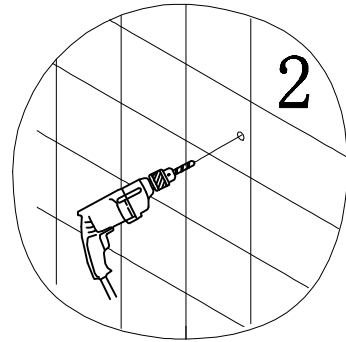
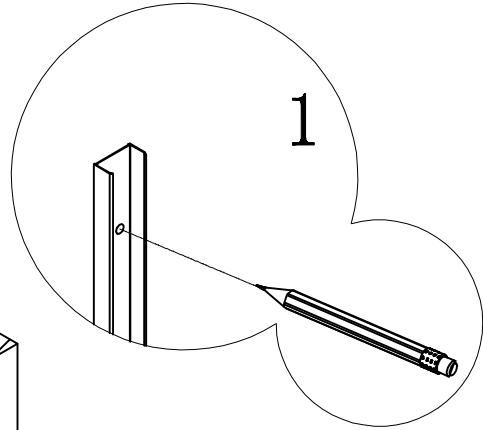
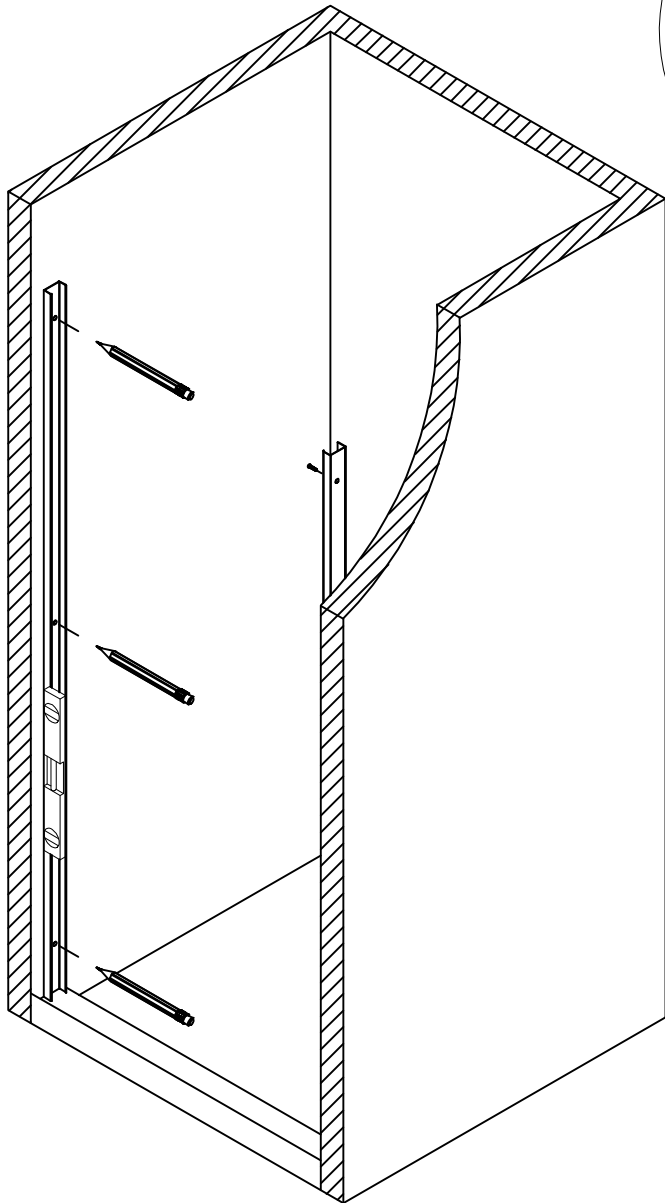
Pencil



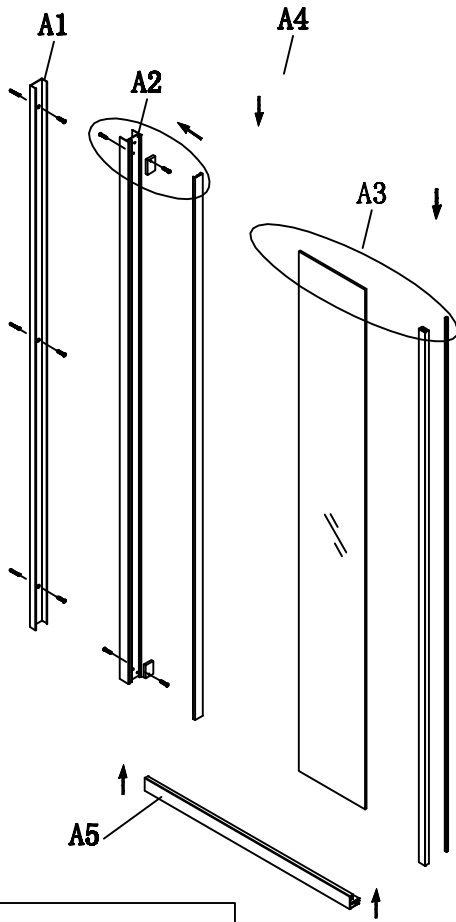
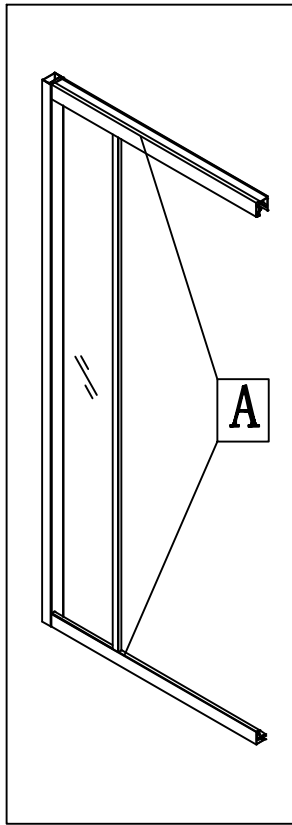
Hanging Hammer



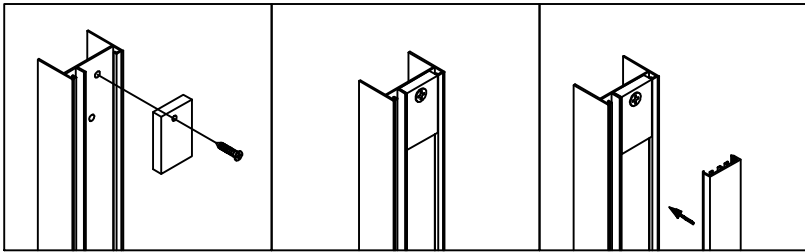
## Wall Channel Installation



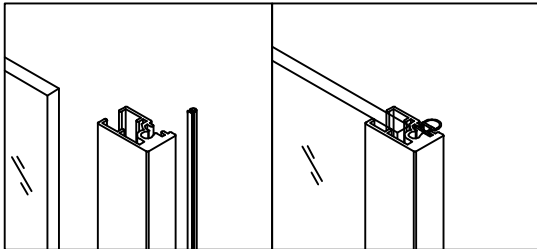
1. Use a pencil mark the position of the Wall bracket.
2. Drilling the screw holes.
3. Tighten the rubber plug.



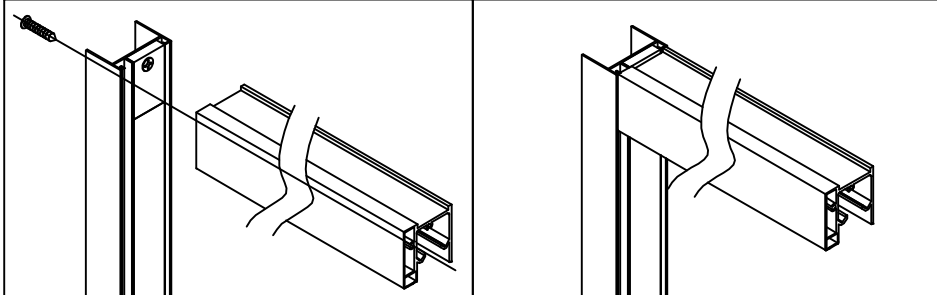
A2



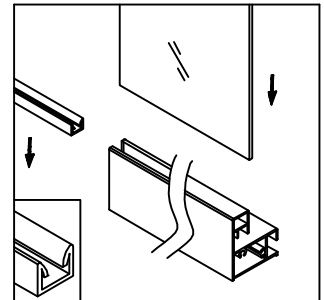
A3

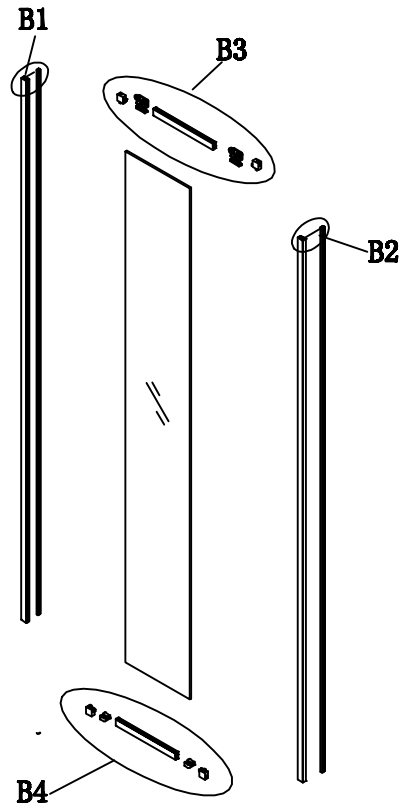
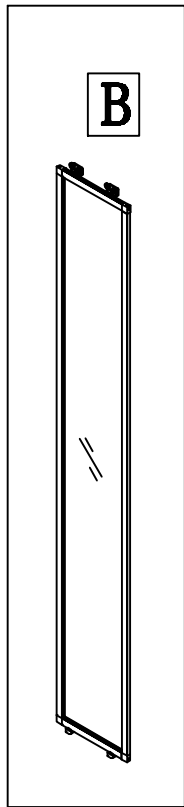


A4



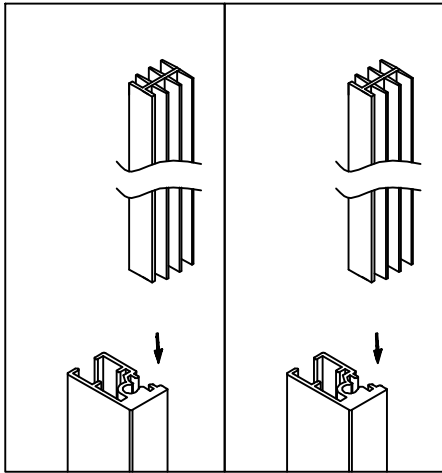
A5



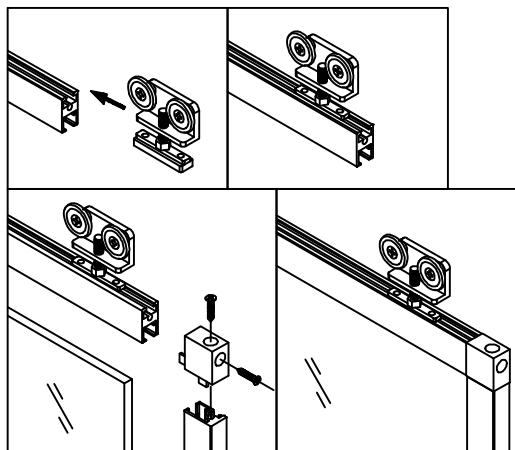


**B1**

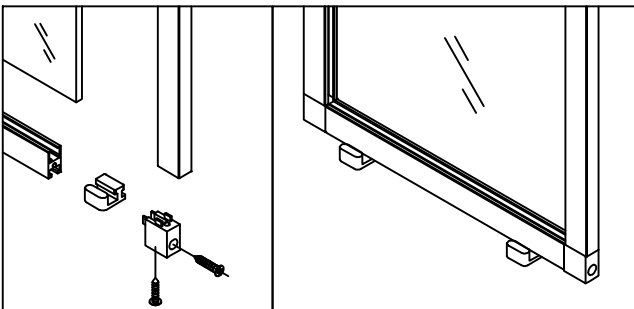
**B2**

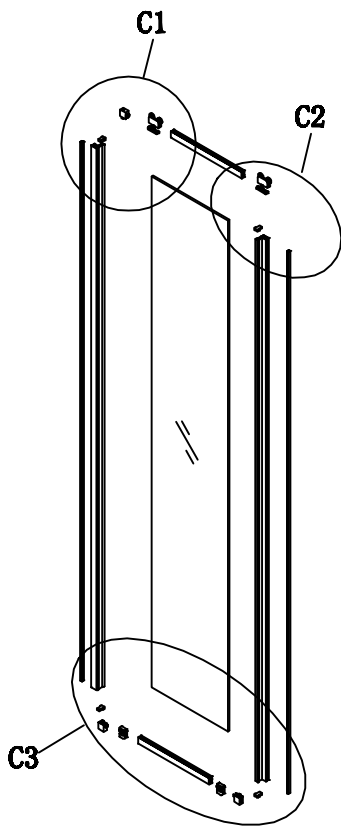
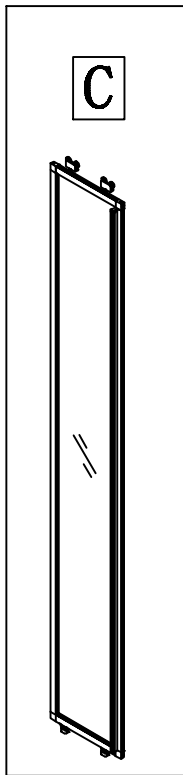


**B3**

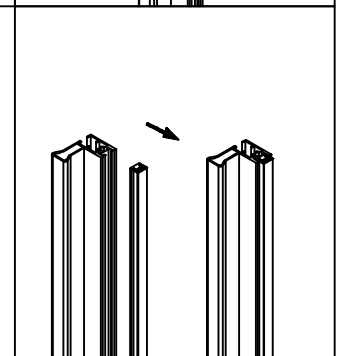
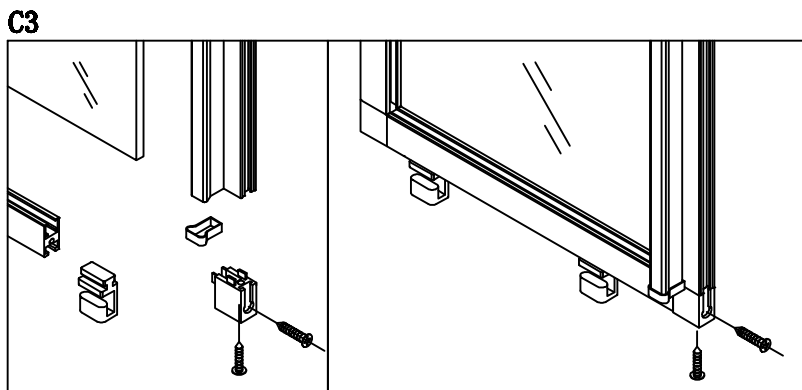
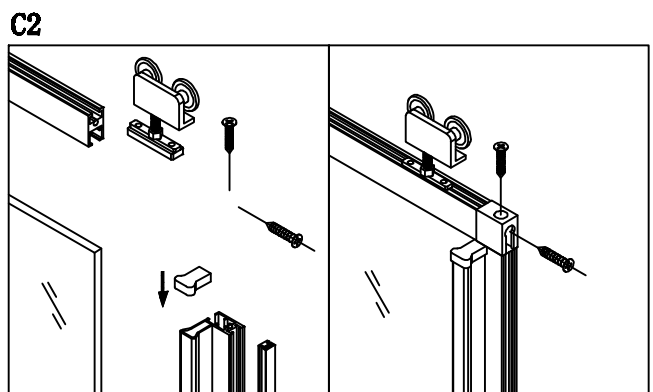
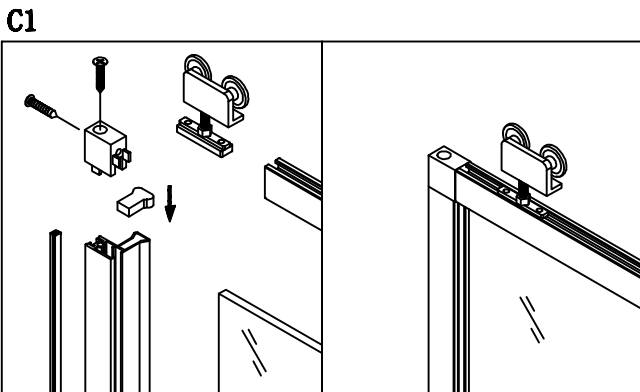


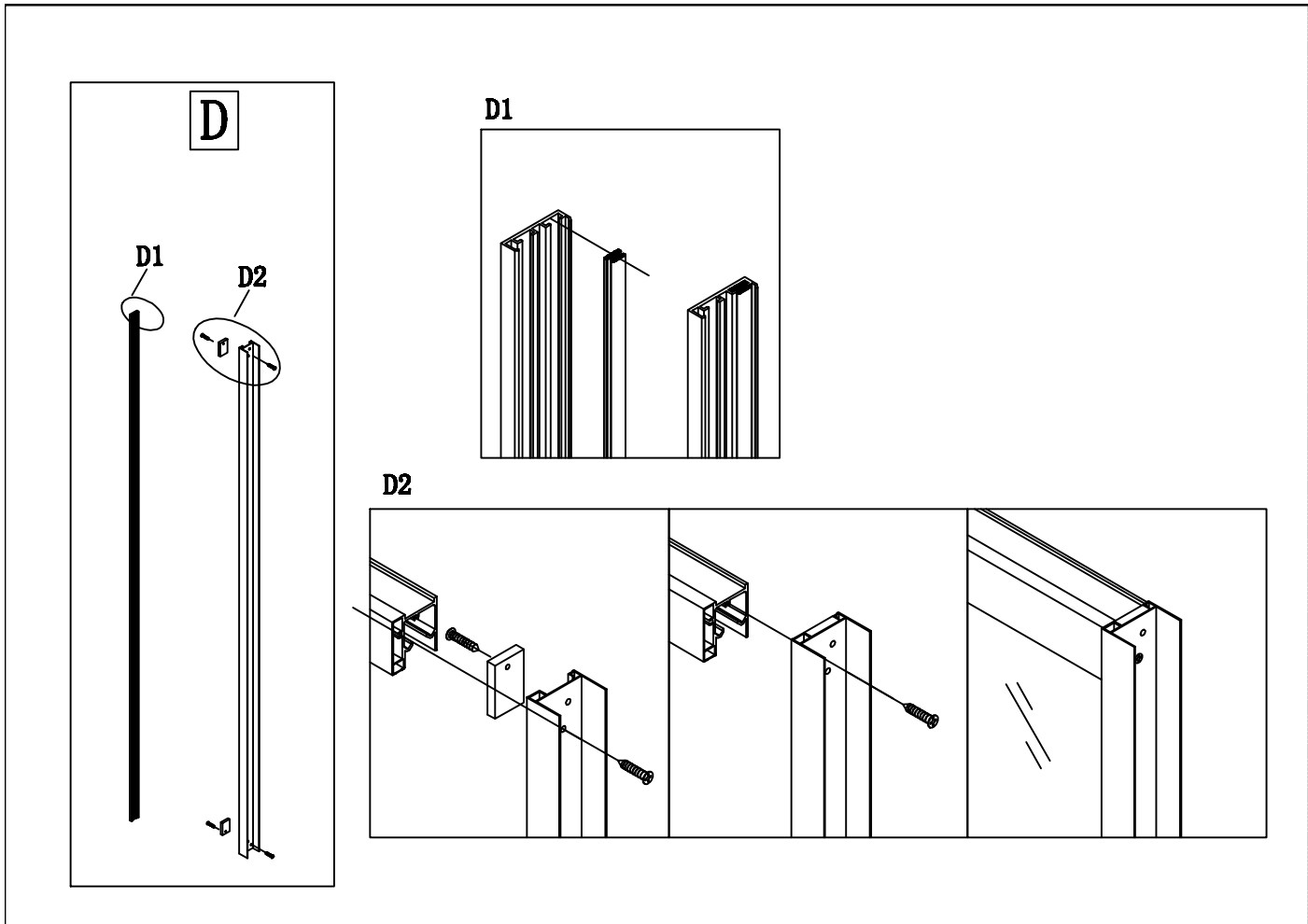
**B4**





**Note: Installation of left and right opening door : If the left photo is the right opening door diagram, if you want to open left door, just turn the wheels up rail to the bottom rail, and then the entire (C) door glass exchange the direction up and down that right door can turn to be left door.**





**24 Hours**

**Please allow 24 hours for the silicone to fully cure before using the shower.**