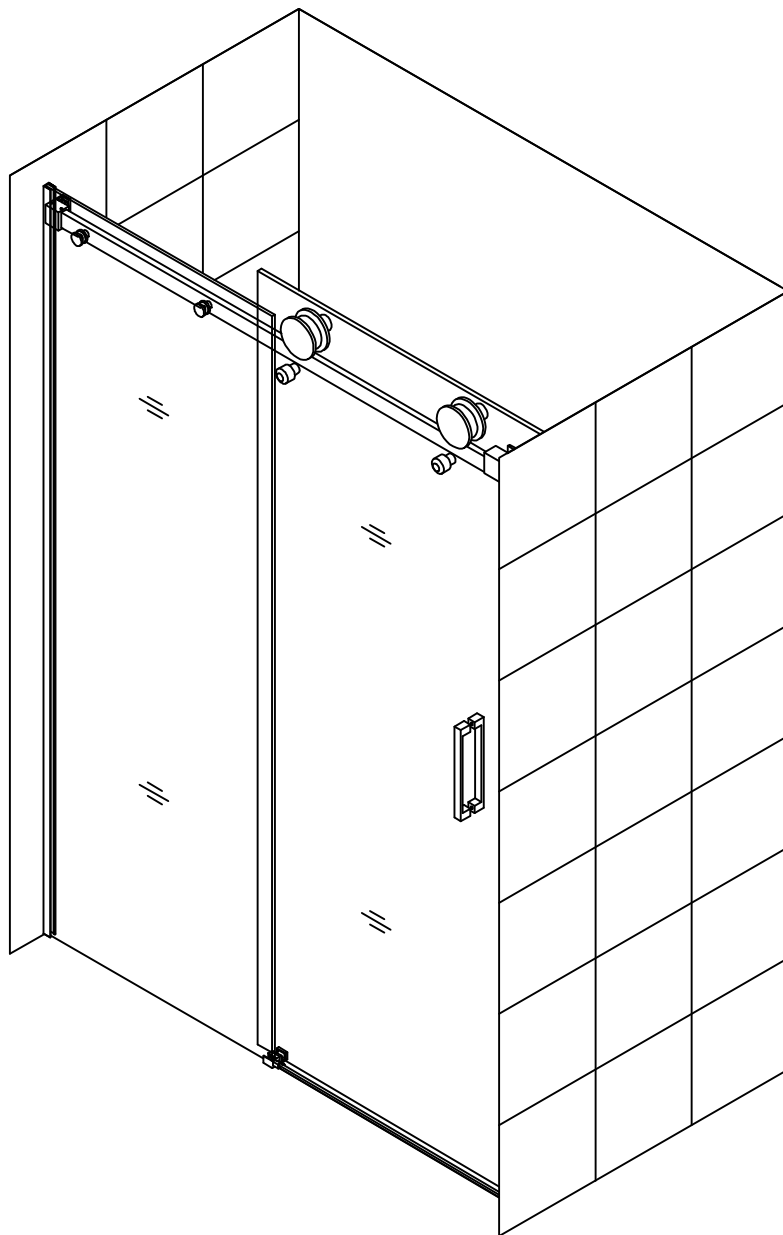


SHOWER ENCLOSURE

INSTALLATION INSTRUCTIONS

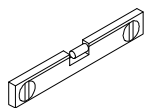


Model: CVP-031

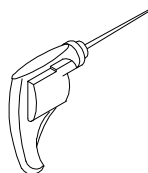
IMPORTANT

1. Prior to installation, examine all boxes and packages for shipping damage and compare the piece count with your packing slip. After opening all boxes and packages read this introduction carefully. Check that all of the needed parts are included in the package by checking off the components on the "Detailed Diagram of Shower Enclosure Components". If the unit has been damaged, has a finishing defect, or has missing parts, please contact the supplier for replacements with 3 Business days . Please note that Supplier will not replace any damaged products or missing parts free of charge after 3 business days or if the product has been installed.
2. Prior to installation, please ensure that the surface is level and solid and will be able to support the total weight of the unit. Also make sure that the walls are plumb. Depending on the type of unit you are installing, some adjustments in leveling may be possible. However, irregular installation surface level or out-of-square conditions can result in serious problems for your installation. Please note that some adjustments and drilling may be necessary. Please protect all primary surfaces of the product during installation.
3. Note: This door is reversible for right or left-hand door installation. The right-hand door installation is shown as an example throughout this manual. For the left-hand door installation, simply begin on the opposite wall and reverse the orientation of the steps shown.

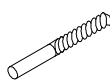
Tools Required



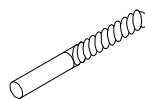
Level



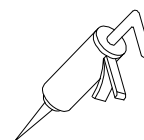
Electric Drill



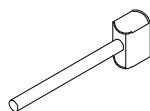
Ø3 Drill Bit



Ø6 Drill Bit



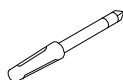
Silicone Gun



Rubber hammer



Tape Measure



Phillips
Screwdriver

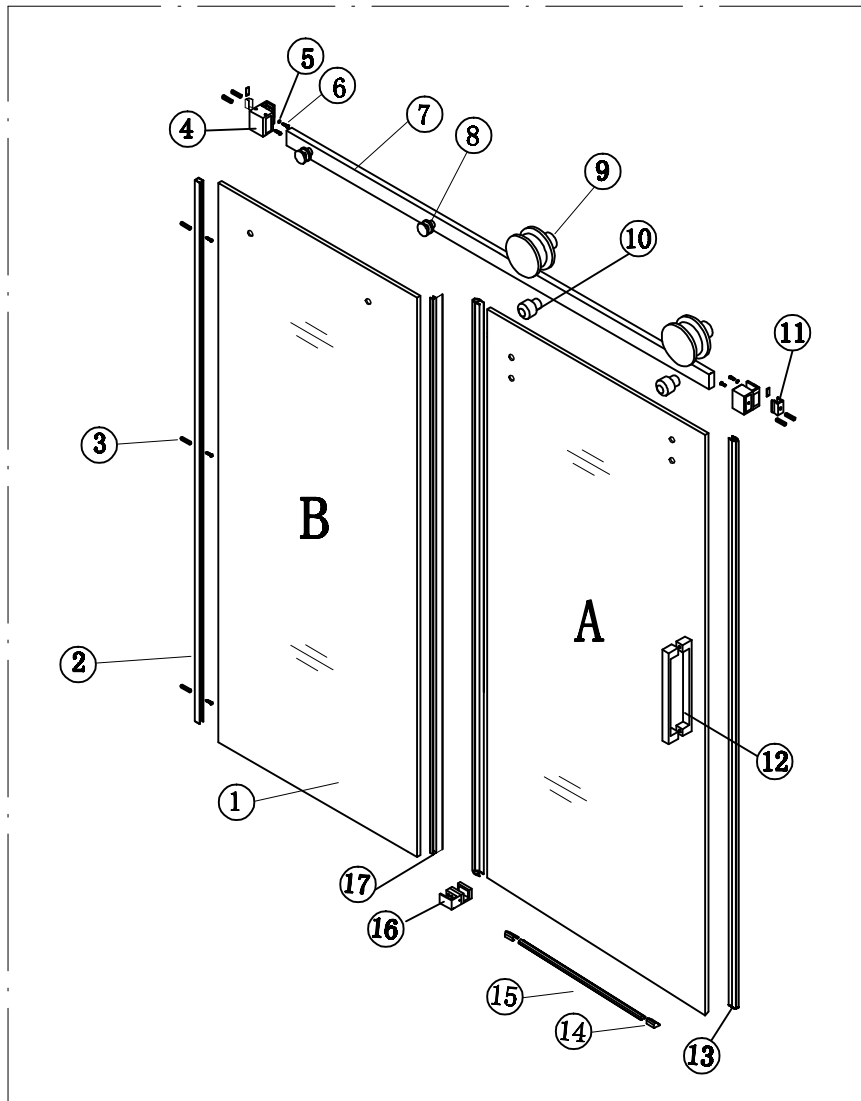


Pencil



Hanging Hammer

Detailed Diagram of Shower Enclosure Components



Packing List

NO.	Name	Picture	Qty	NO.	Name	Picture	Qty
1	Glass door		2	10	The Jump		2
2	Wall Stainless steel		1	11	Antibouncer		2
3	Ø6 Wall anchor		7	12	Handle		1
4	Rail bracket		2	13	Bumper strip		2
5	M5 Pad		2	14	Decorative cover		2
6	Round head screw ST4x30		7	15	Anti-splash threshold		1
7	Rail 30x10		1	16	Guide Block		1
8	Mirror nail		2	17	Shape seal		1
9	Ø55 Roller		2	18	Allen wrench		1

NOTE: Retain these installation instructions for future reference

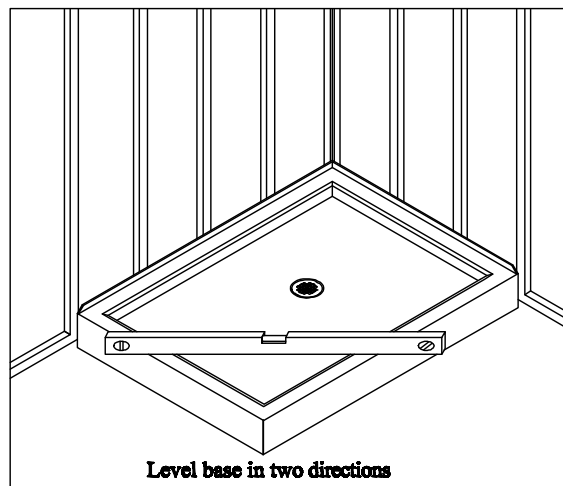
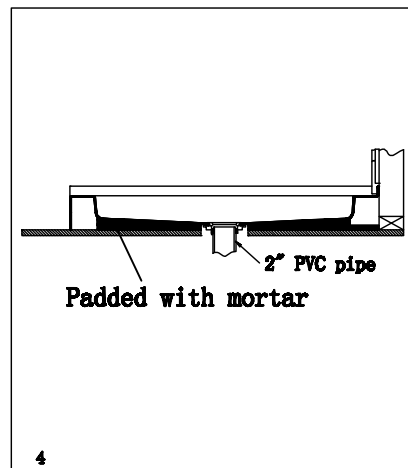
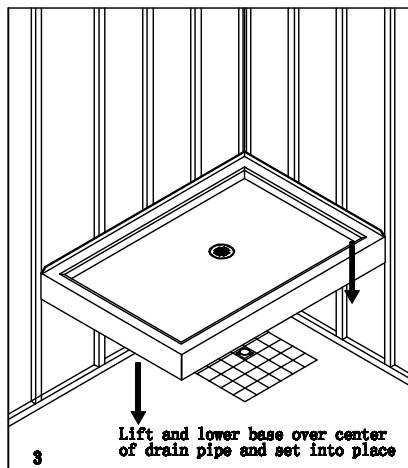
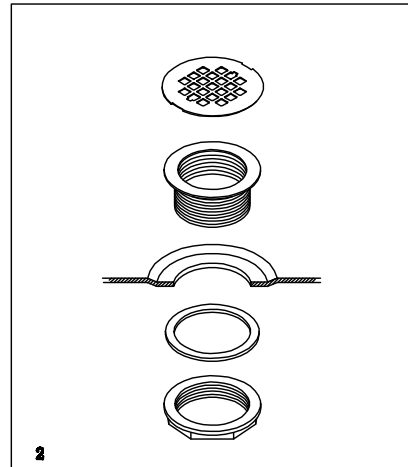
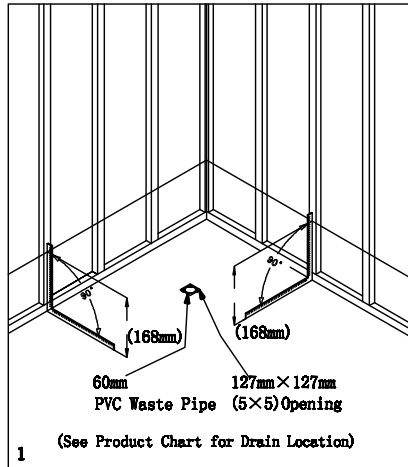
Installation Steps

There are 6 main parts of shower door installation:

- ① Shower pan(bathtub) Installation.
(Note: This part is optional.)**
- ② Glass Tighten Nail Installation**
- ③ Guide Rail Installation.**
- ④ Guide Block and Roller Installation.**
- ⑤ Anti-splash Threshold Installation.**
- ⑥ Handle and Bumper Strip Installation.**

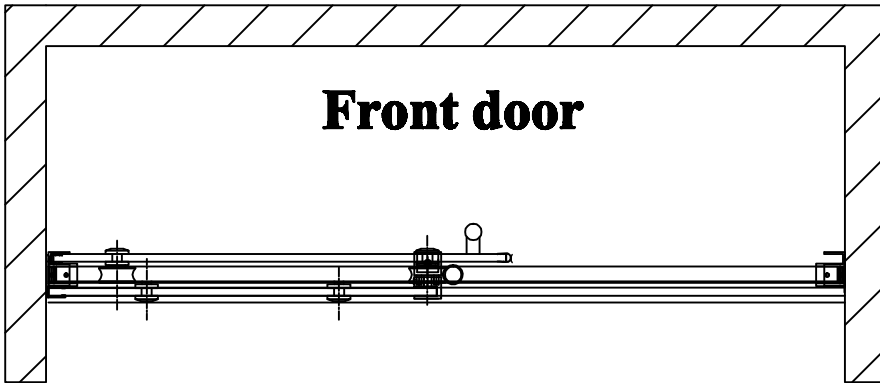
1

Shower Pan Installation



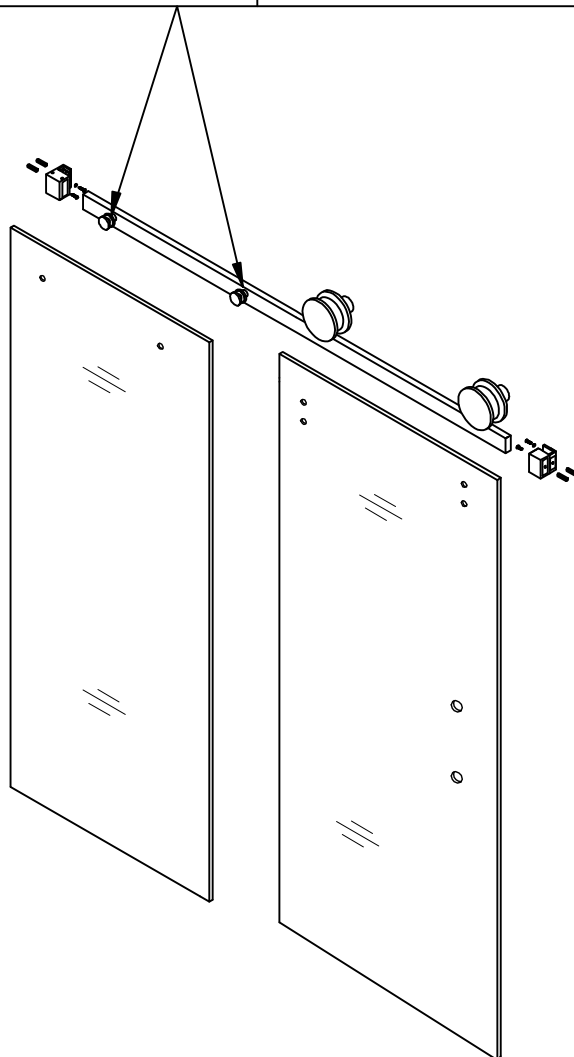
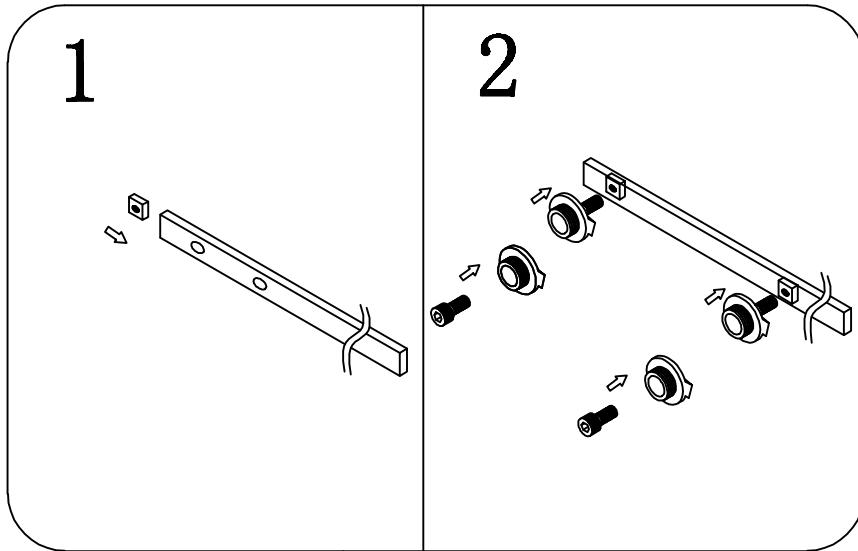
Note: shower pan(bathtub) is optional. Please place it before you start install shower door.

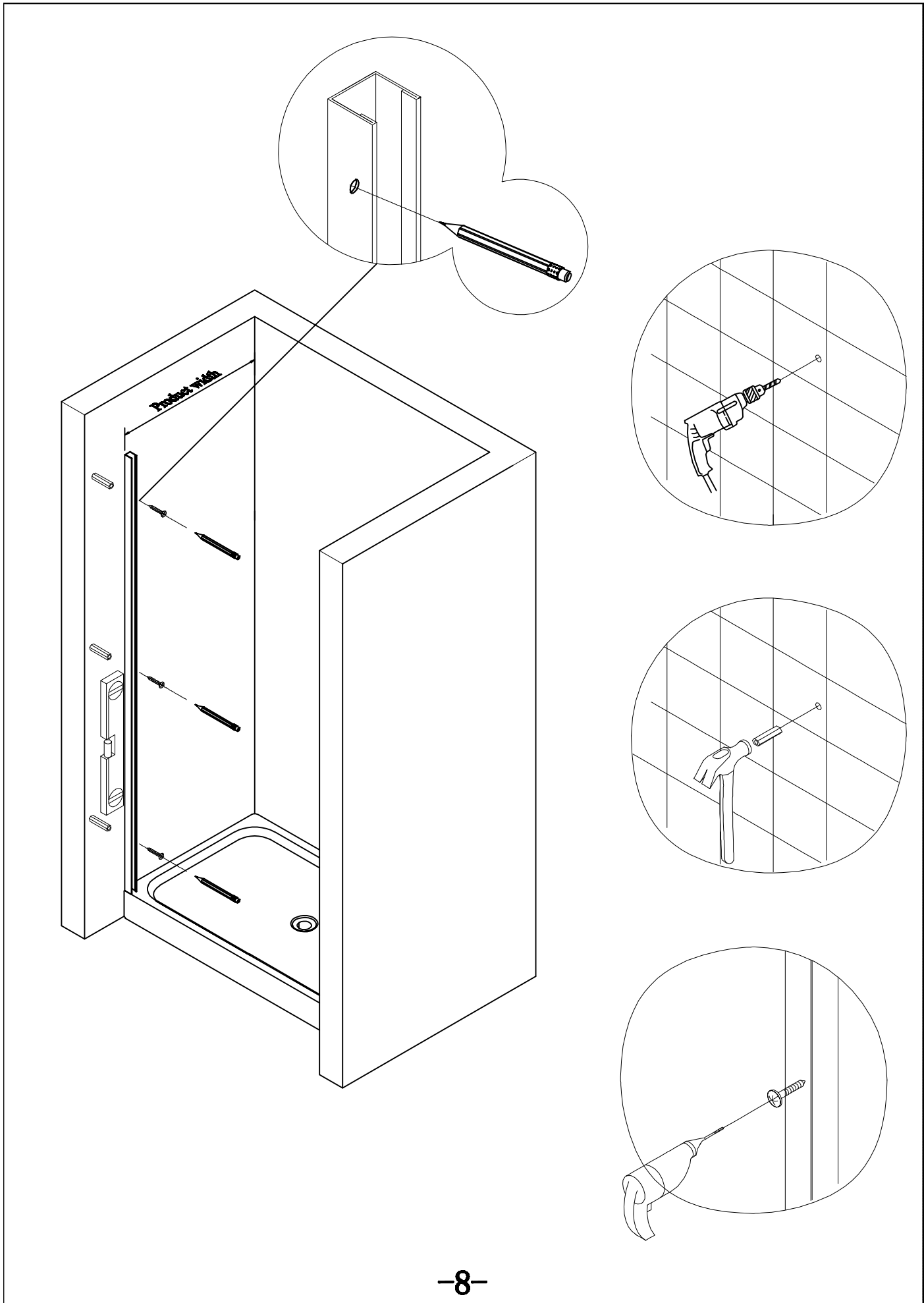
Front door



2

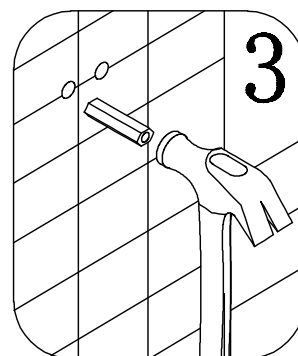
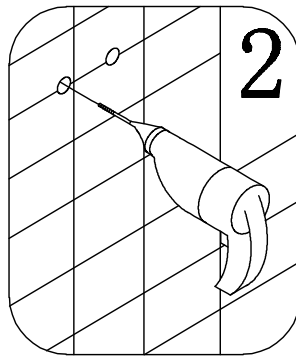
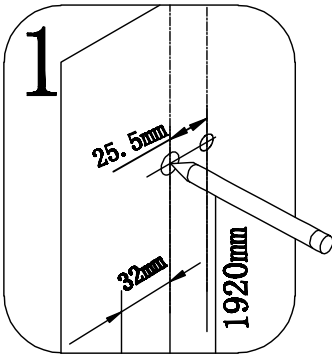
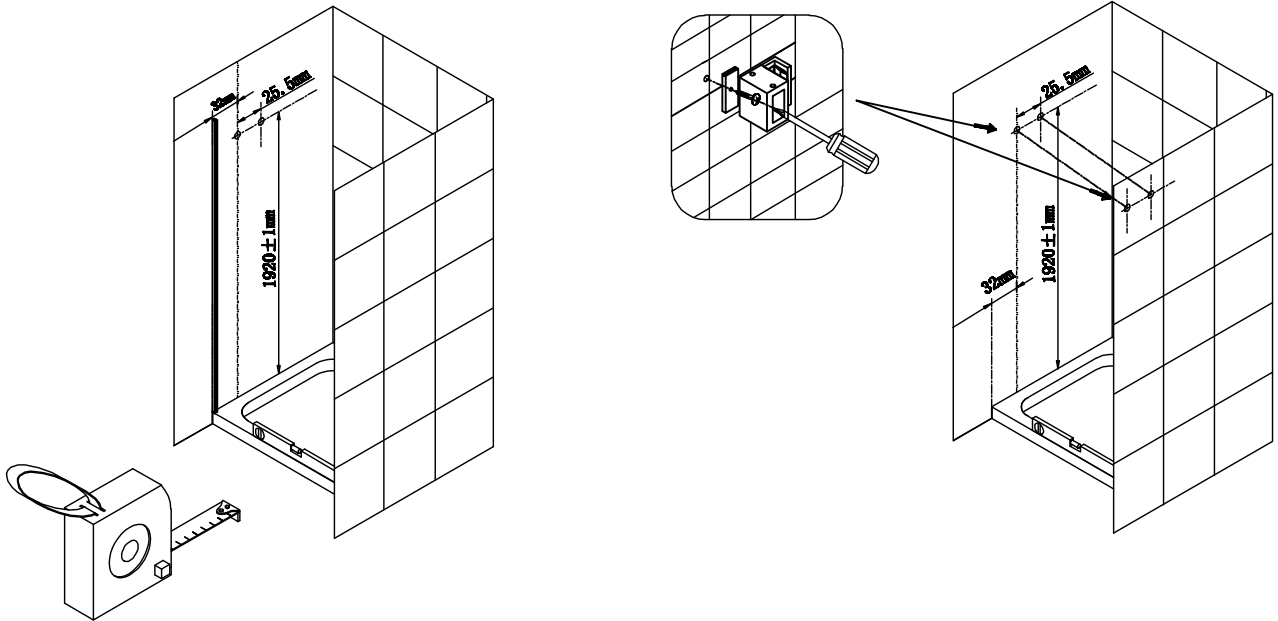
Glass Tighten Nail Installation





3

Guide Rail Locker Installation



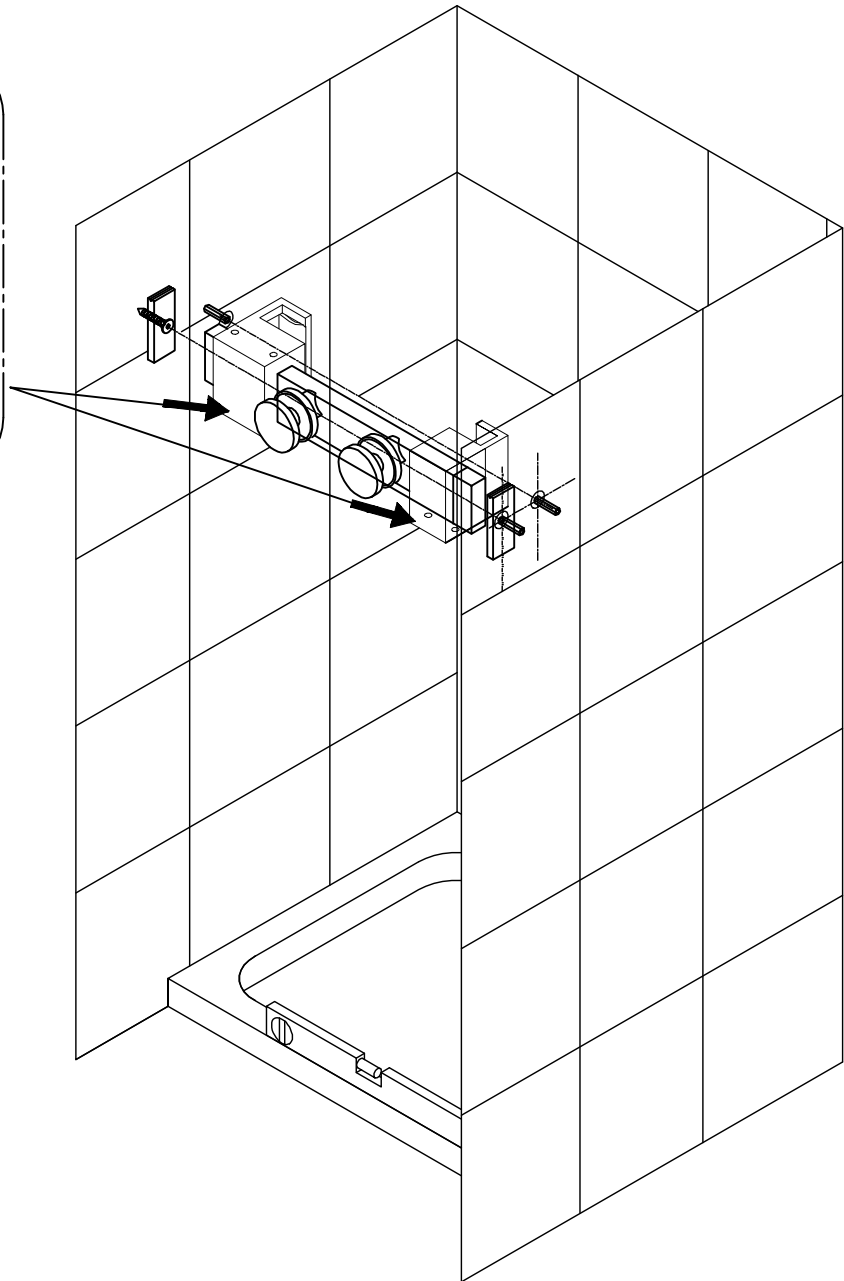
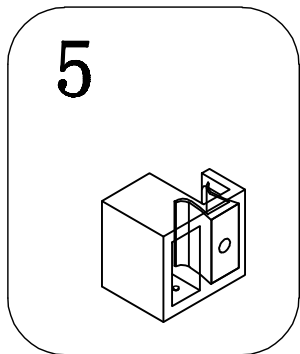
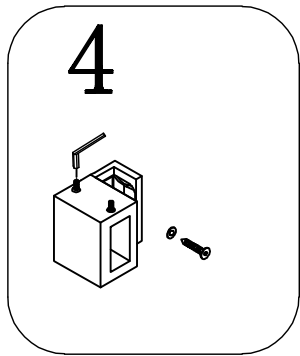
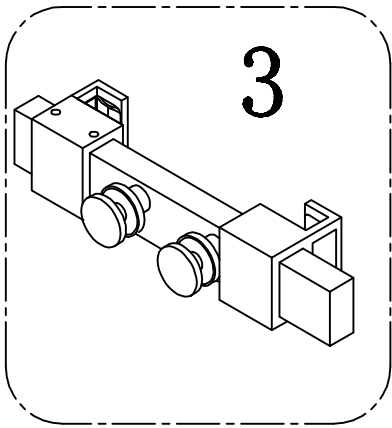
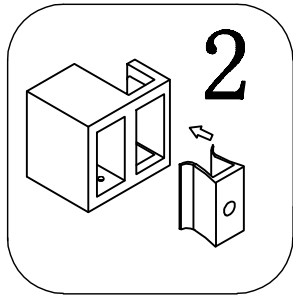
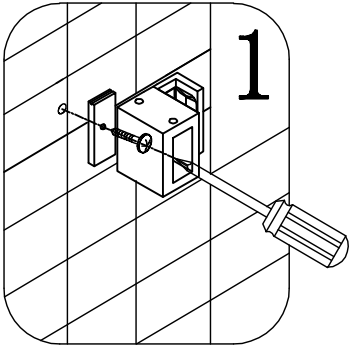
1. Use a pencil mark the position of the Wall bracket and Guide Rail brackets on the wall at 1920±1mm height.

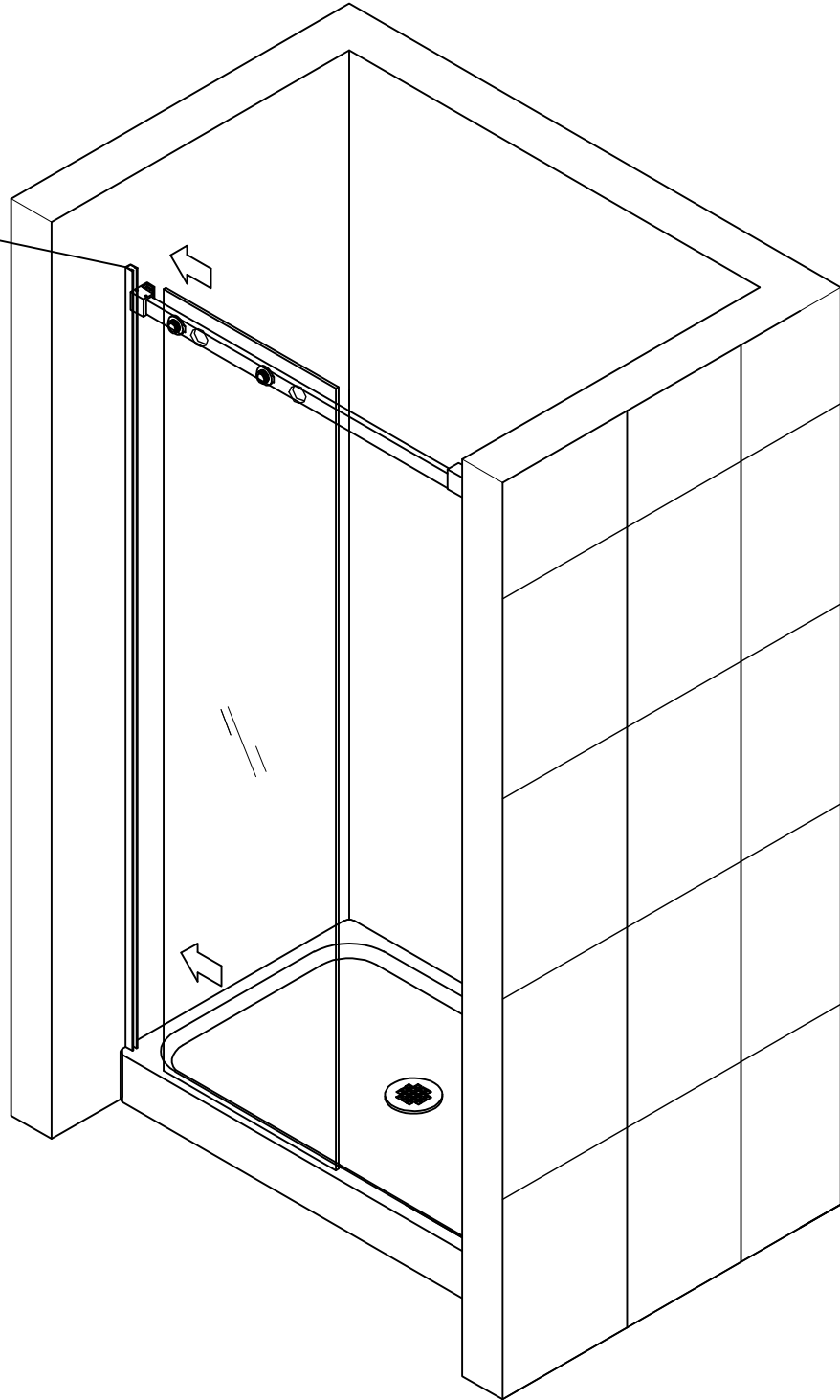
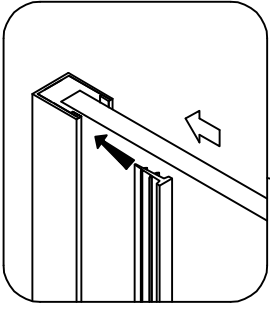
2. Drilling the screw holes.

3. Tighten the Wall anchor.

Install the rail bracket on the wall as attached picture.

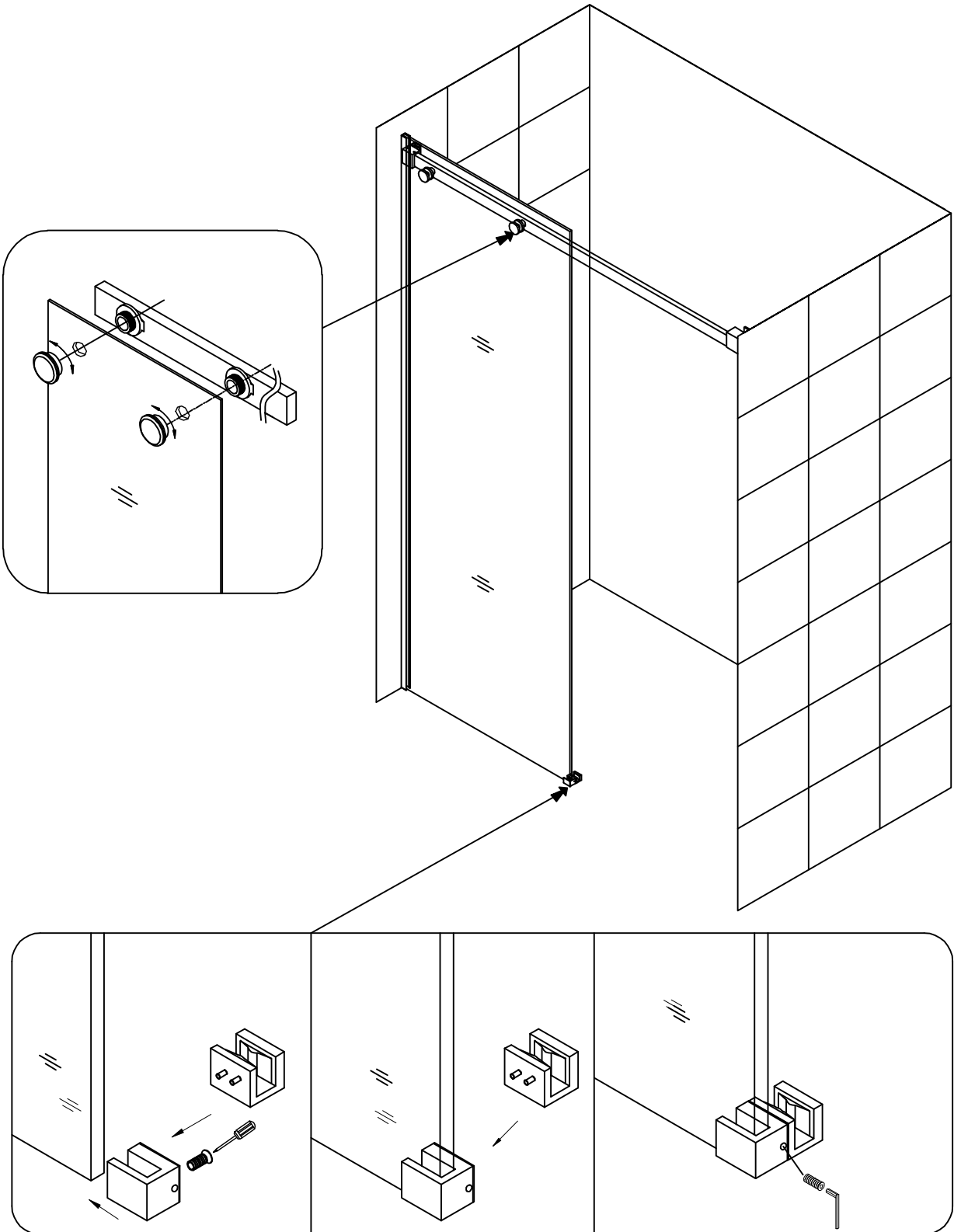
Note: Perform the same procedure on the opposite wall.

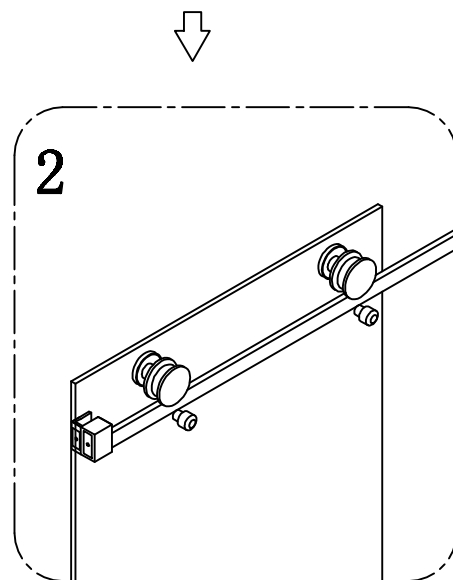
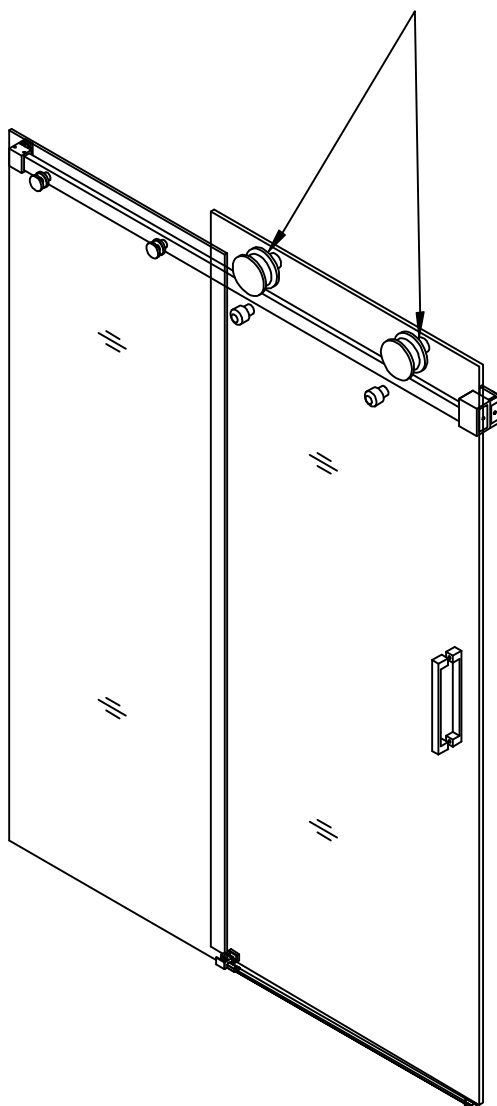
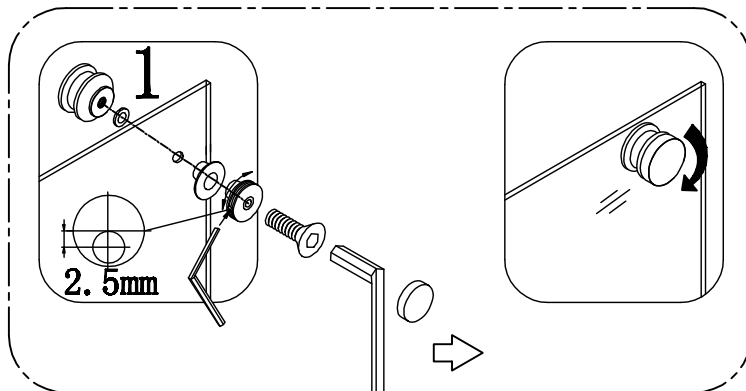




4

Guide Block and Roller Installation.

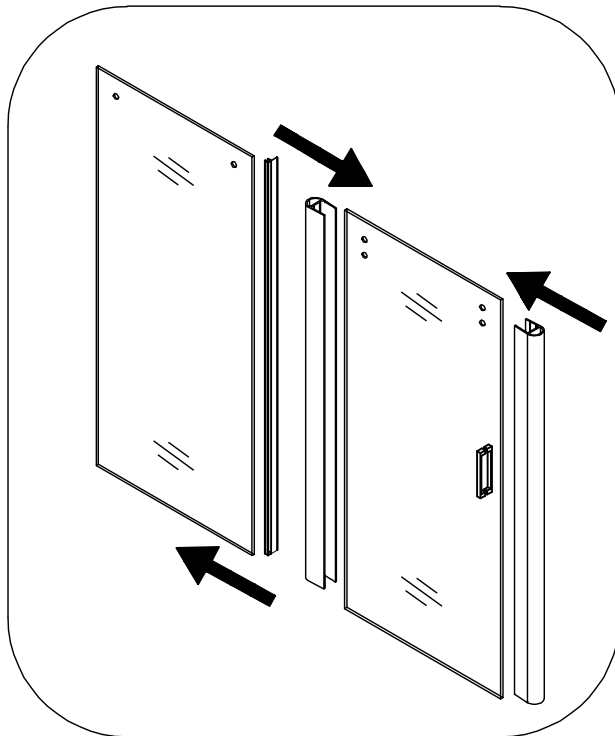
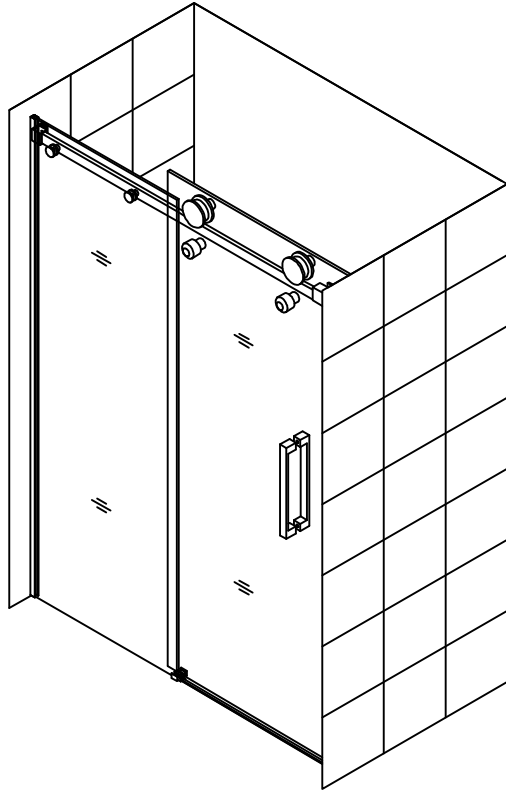




1. Tighten the rollers to the glass door as attached photo.
2. Firstly tighten 2 rollers above the guider rail hung the glass door up to the guider rail.

5

Anti-splash Threshold Installation



6

Handle And Bumper Strip Installation

