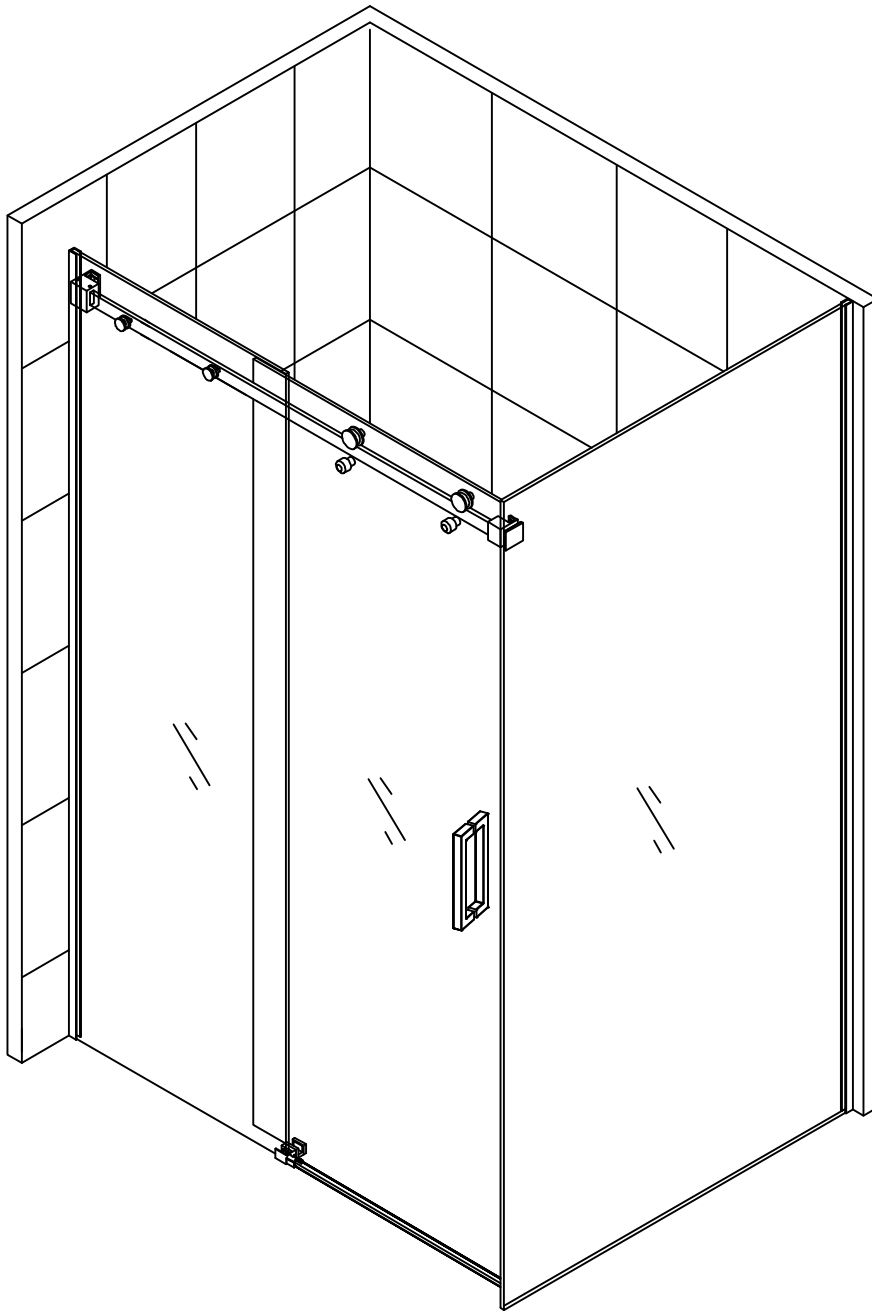


# SHOWER ENCLOSURE

## INSTALLATION INSTRUCTIONS

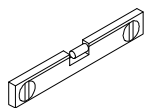


**MODEL: CVP031**

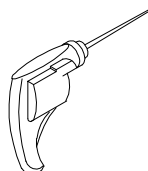
# IMPORTANT

1. Prior to installation, examine all boxes and packages for shipping damage, and count carefully according to your packing slip. After opening all boxes and packages, read this instruction carefully. Check if all needed parts are included in the package by checking off the components on the "Detailed Diagram of Shower Enclosure Components". If the unit has been damaged, which contains a finishing defect, or missing parts, please contact the supplier for replacements within 3 Business days. Please note that Supplier will not replace any damaged products or missing parts for free after 3 business days or if the product has been installed.
2. Prior to installation, please ensure that the surface is level and solid and will be able to support the total weight of the unit. Also make sure that the walls are plumb. Depending on the type of unit you are installing, some adjustments in leveling may be necessary. However, irregular installation surface level or out-of-square conditions can result in serious problems for your installation. Please note that some adjustments and drilling may be necessary. Please protect all primary surfaces of the product during installation.
3. Note: This door is reversible for right or left-hand door installation. The right-hand door installation is shown as an example in this manual. For the left-hand door installation, simply begin on the opposite wall and reverse the orientation of the steps shown.

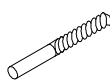
## Tools Required



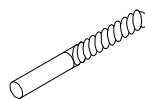
Level



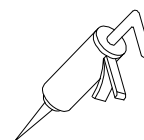
Electric Drill



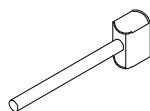
Ø3 Drill Bit



Ø6 Drill Bit



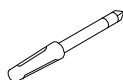
Silicone Gun



Rubber hammer



Tape Measure



Phillips  
Screwdriver

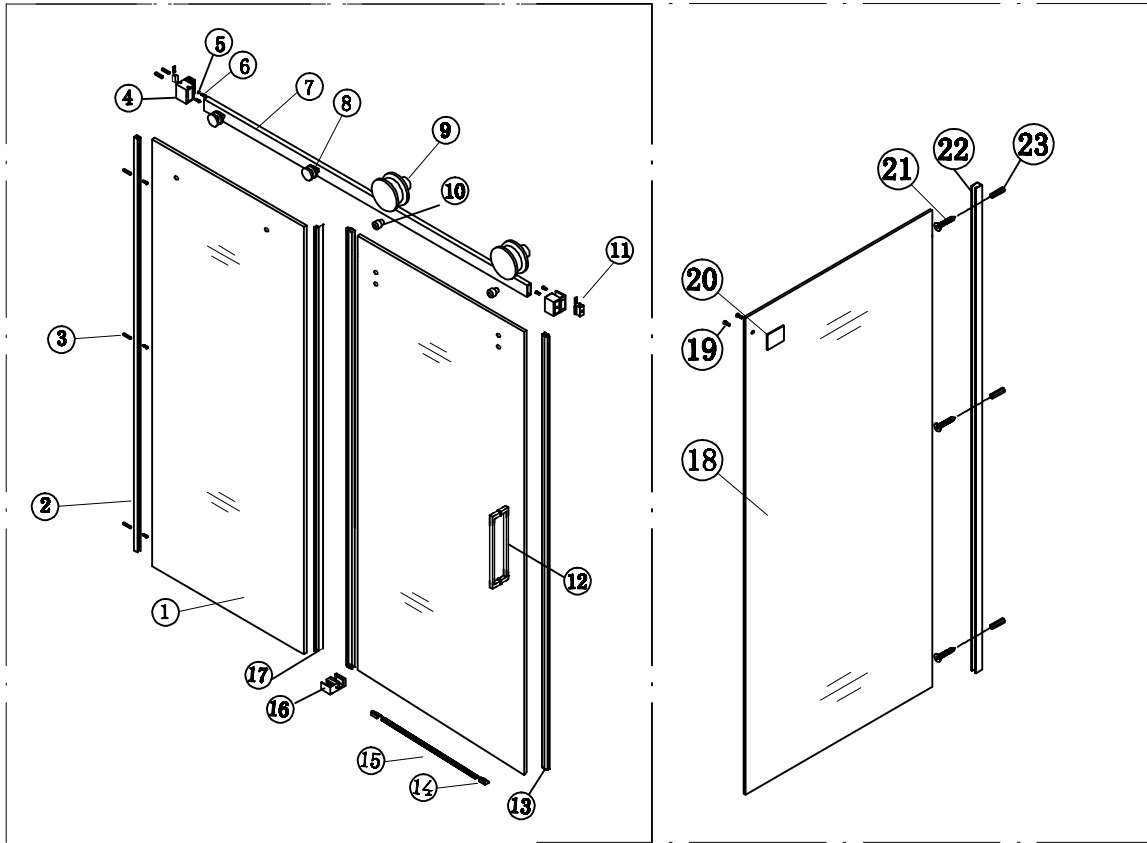


Pencil



Hanging Hammer

# Detailed Diagram of Shower Enclosure Components

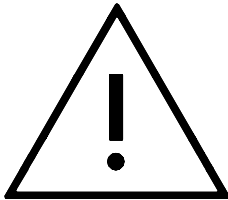


## Packing List

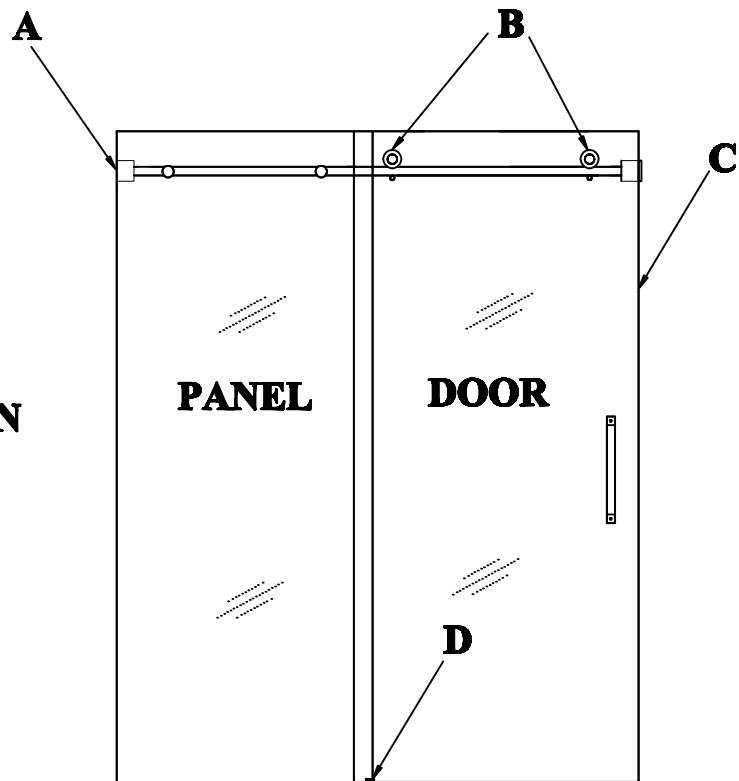
NO.	Name	Picture	Qty	NO.	Name	Picture	Qty
1	Glass door		2	11	Antibouncer		2
2	Wall Channel		1	12	Handle		1
3	Ø6 Rubber plug		5		Round Handle(For size under 1150mm)		1
4	Rail bracket		2	13	Water proof strip		2
5	M5 Pad		1	14	Decorative cover		2
6	Round head screw ST4x30		5	15	Anti-splash threshold		1
7	Rail 40x15		1	16	Guide Block		1
8	Rail clamp		2	17	Shape seal		1
9	Ø55 Roller		2				
10	Anti-jump nail		2				

NO.	Name	Picture	Qty	NO.	Name	Picture	Qty
18	Side glass		1	21	Round head screw ST4x30		3
19	Screw		2	22	Wall Channel		1
20	Wall bracket cover		1	23	Ø6 Wall anchor		3

**NOTE:** Retain these installation instructions for future reference



**IMPORTANT INFORMATION  
REGARDING THE  
INSTALLATION  
OF THIS SHOWER DOOR**



**A Guide Rail Brackets** must be firmly attached to the wall. Installation into a stud is strongly recommended. All set screws of the guide rail bracket must be tightened. **Thread Lock** must be applied to both stopper set screws. Panel-side stopper must be installed into the pre-drilled stopper hole in the upper guide rail. Door-side stopper must be installed at the proper position to stop the door from contacting the wall.

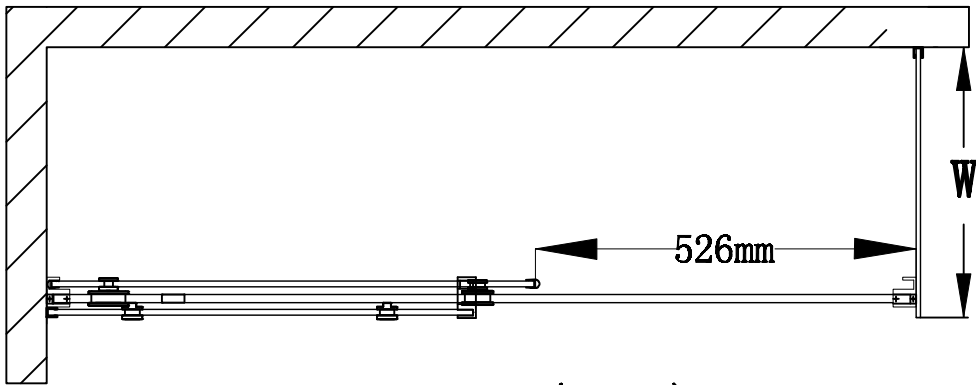
**B Roller Wheel Safety Set Screws** must be re-tightened after installation

**C Bumper Vinyl Seal** must be installed on the closing edge of the door glass.

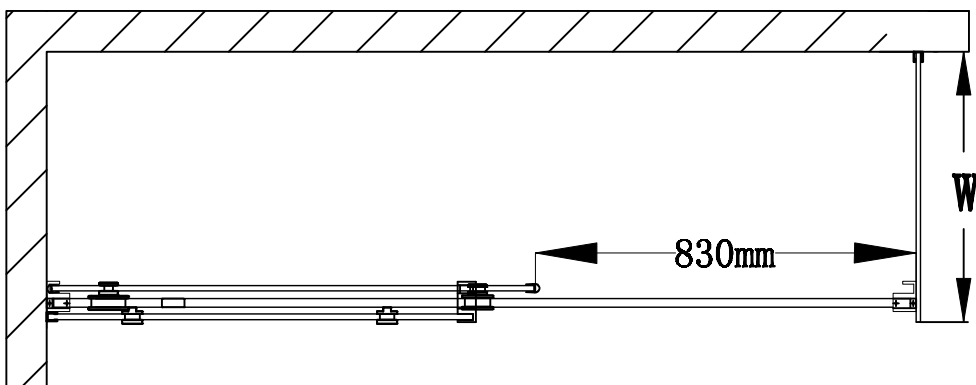
**D The Guide Block** must be screwed to the threshold and installed square to the panel glass and door glass. If the guide block is installed crookedly it may damage the bottom edge of the door glass and lead to breakage.

**PLEASE READ THE ENCLOSED  
INSTALLATION MANUAL FOR  
DETAILS REGARDING PROPER  
INSTALLATION.**

## Specification



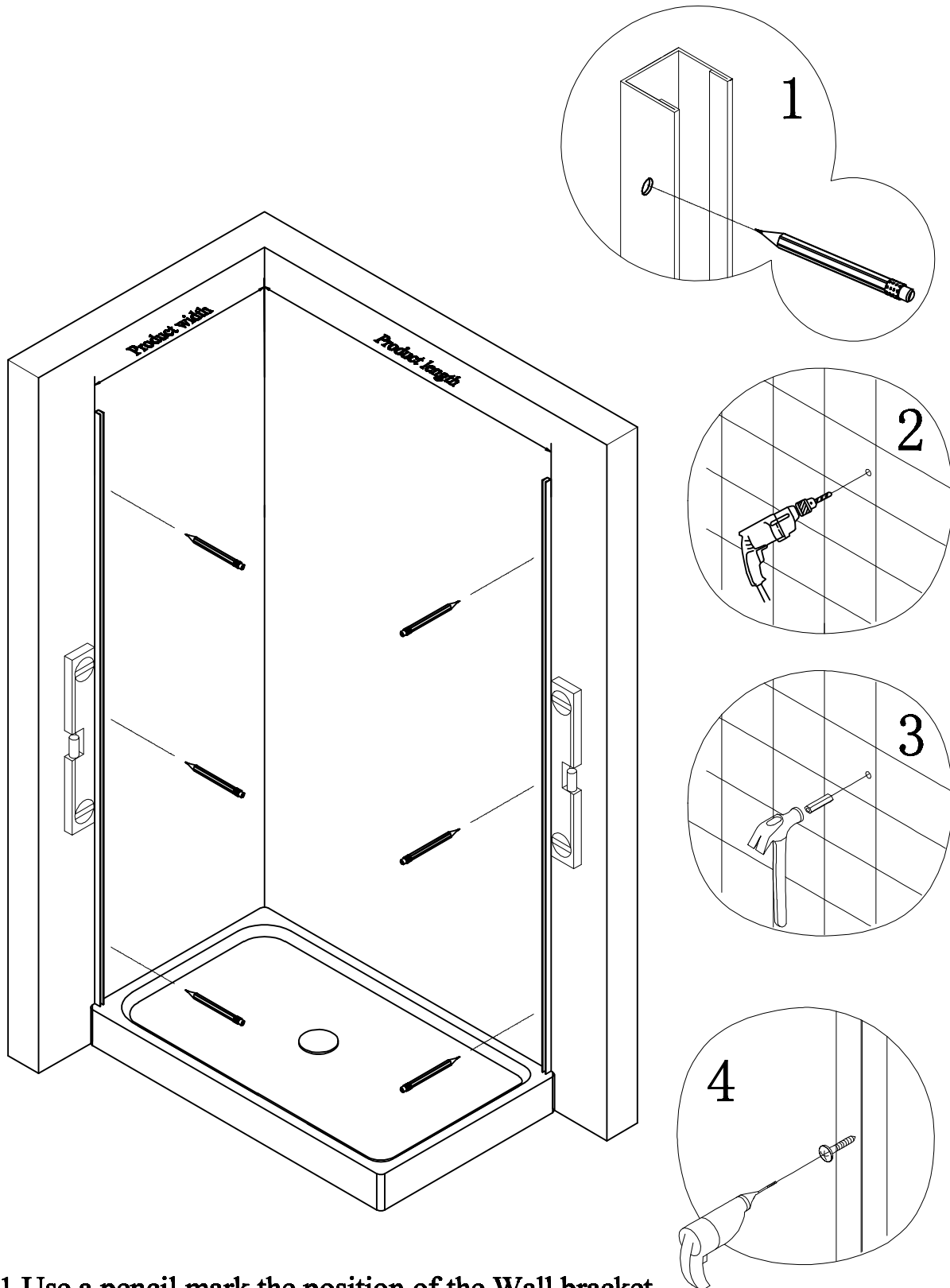
Front door (1200)



Front door (1800)

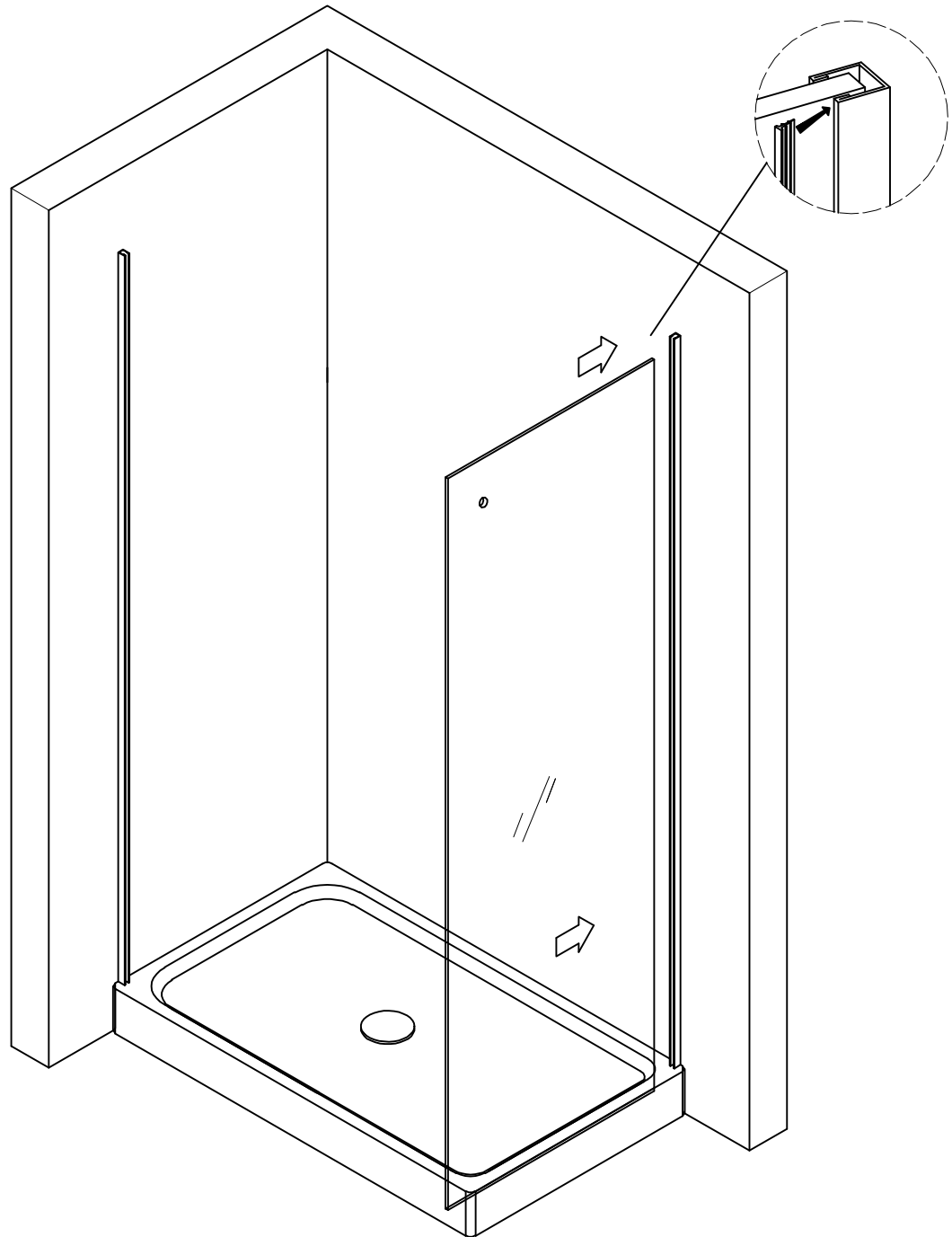
(1100/1200/1450/1650/1800) X (800/900/1000/1100/1200) X 2000

## Wall Channel Installation



1. Use a pencil mark the position of the Wall bracket .
2. Drilling the screw holes.
3. Tighten the rubber plug.

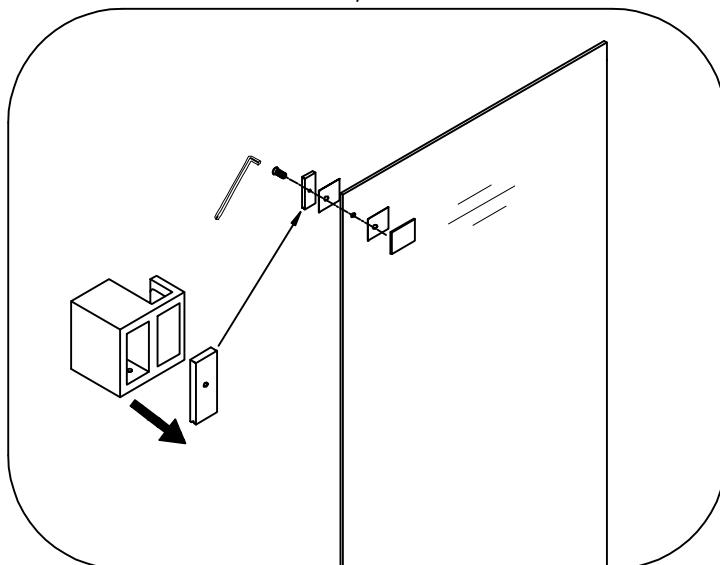
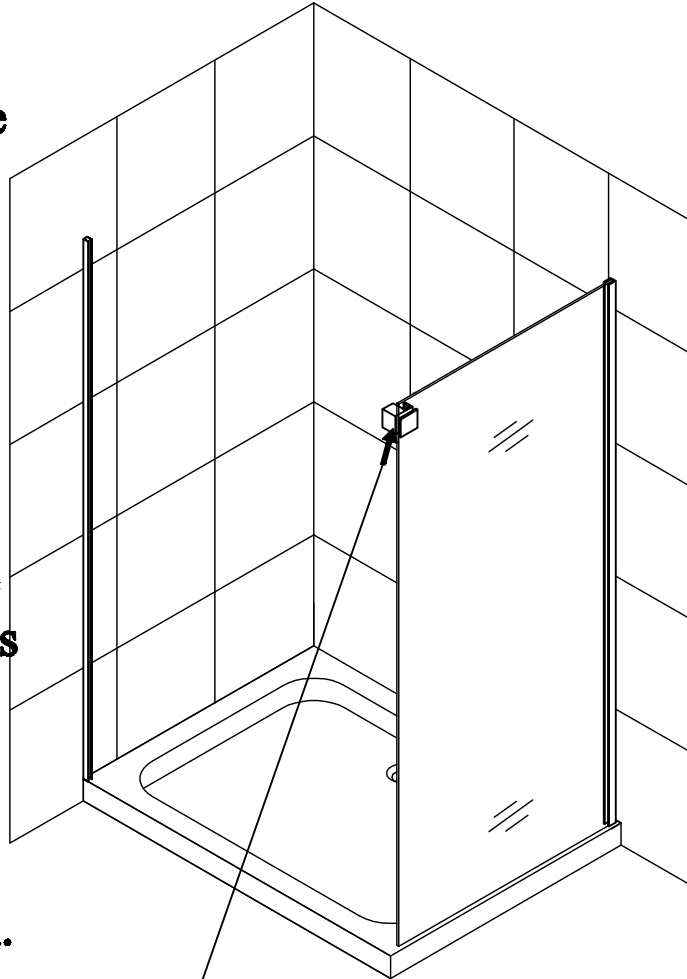
## Side Panel Installation



Put the return glass panel into wall channel  
,meanwhile ,installing the single plastic strip  
into wall channel.

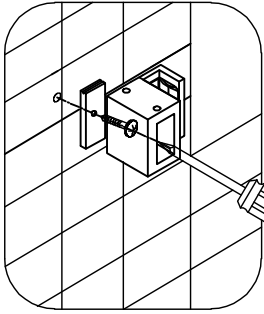
## Side Panel Glass Wall Bracket Installation

Remove a wall sleeve from the Door Panel product kit. And then remove the board of wall sleeve and the relevant screws, rubber gaskets from the panel kit. Then install the wall sleeve on the side panel glass as shown in the illustration. When fixing the screws, make sure that the wall sleeve is vertical. Otherwise it will be noisy when sliding the door.

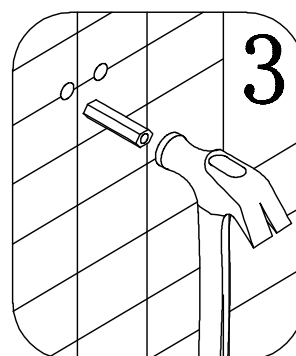
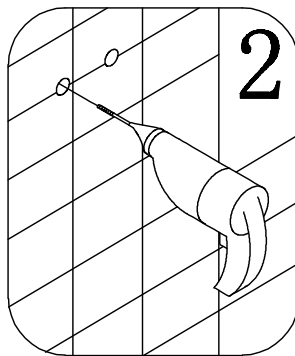
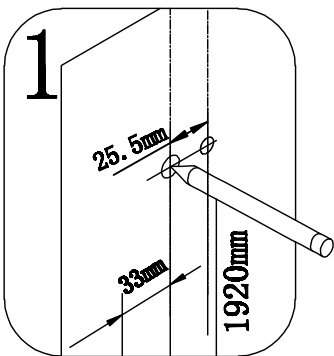
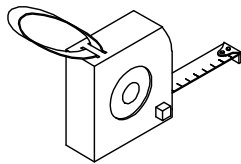
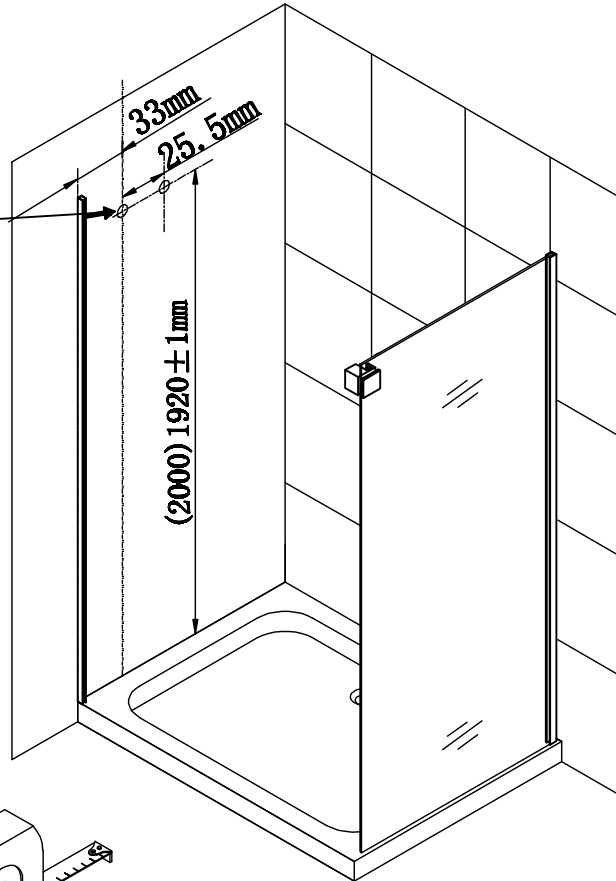




# Guide Rail Locker Installation

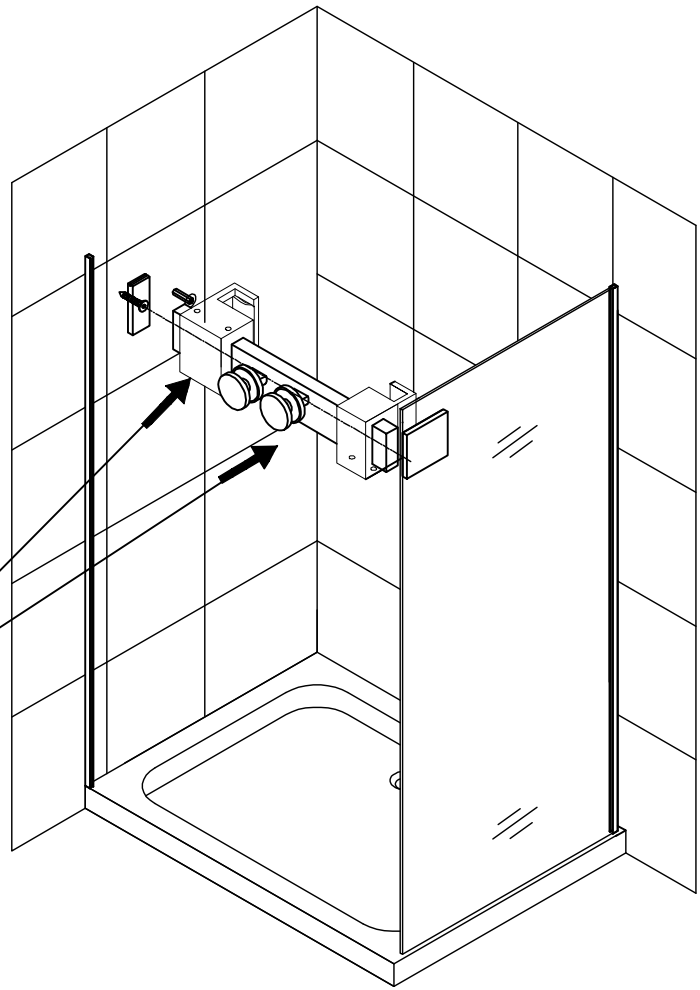
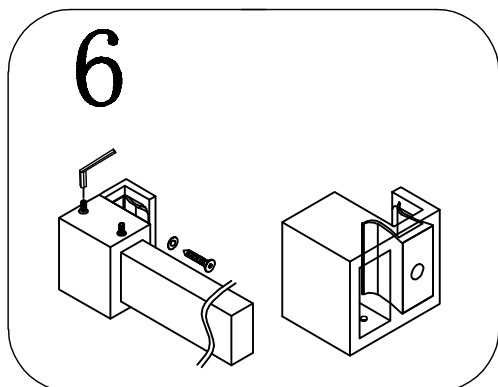
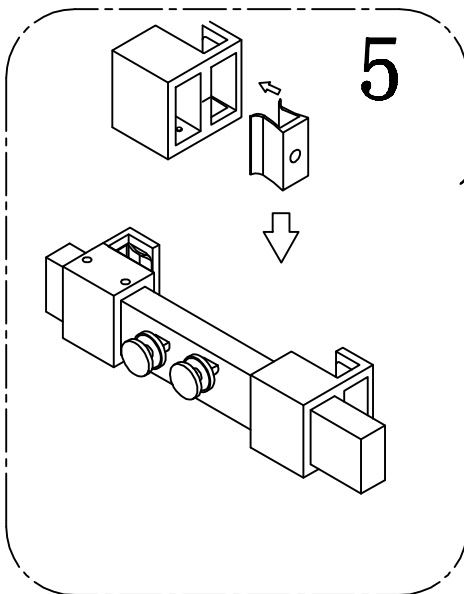
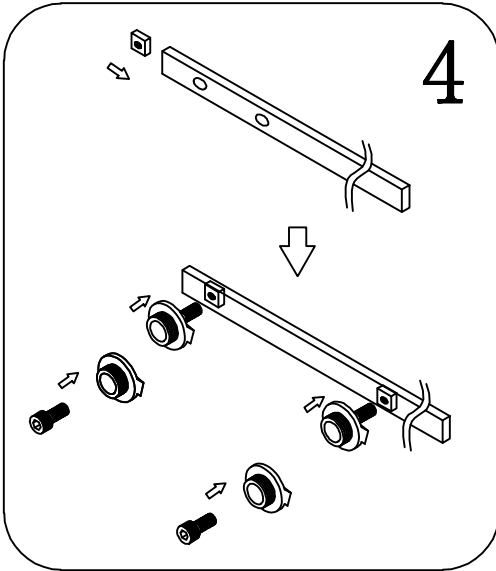


Let the Guider Rail Bracket attach to the wall with screws ,please make sure all set screws of the guide rail bracket is locked firmly

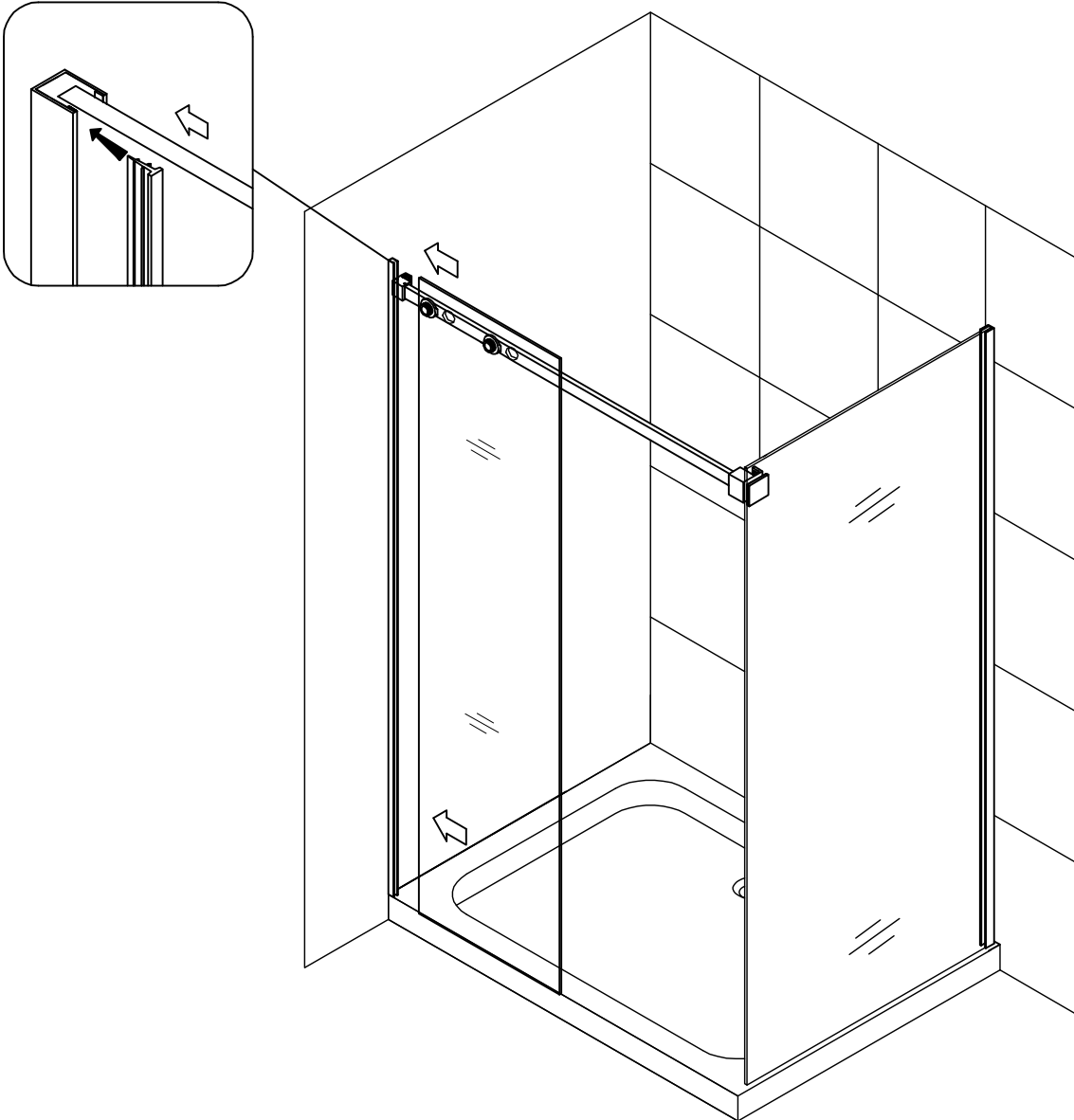


- 1.Install the rail clamp into the rail .
- 2.Drilling the screw holes.
- 3.Tighten the Wall anchor.

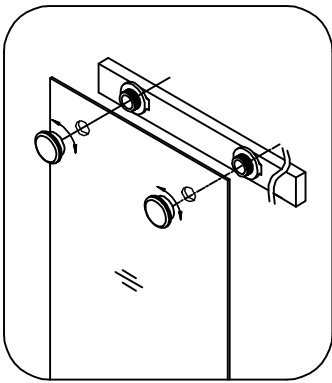
## Guide Rail Locker Installation



4. Install the rail clamp into the rail .
5. Install the stopper into the rail in a correct position.
6. Tightening the screws of the Guide Rail Bracket.

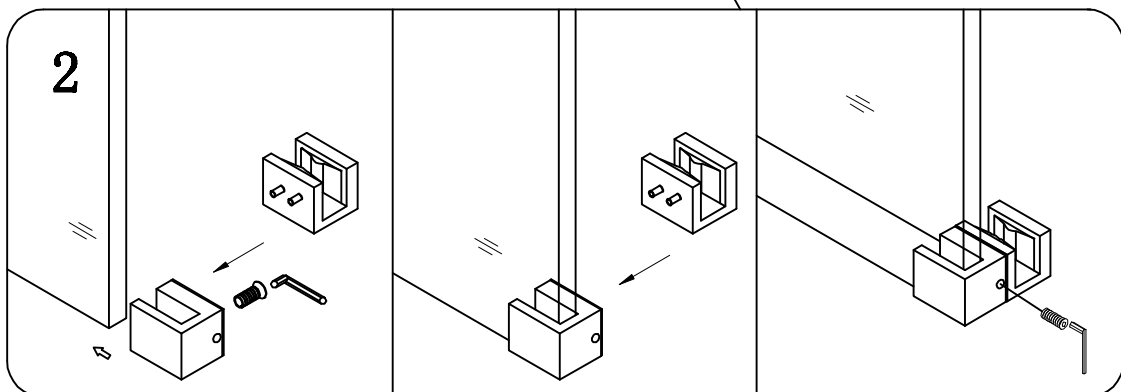
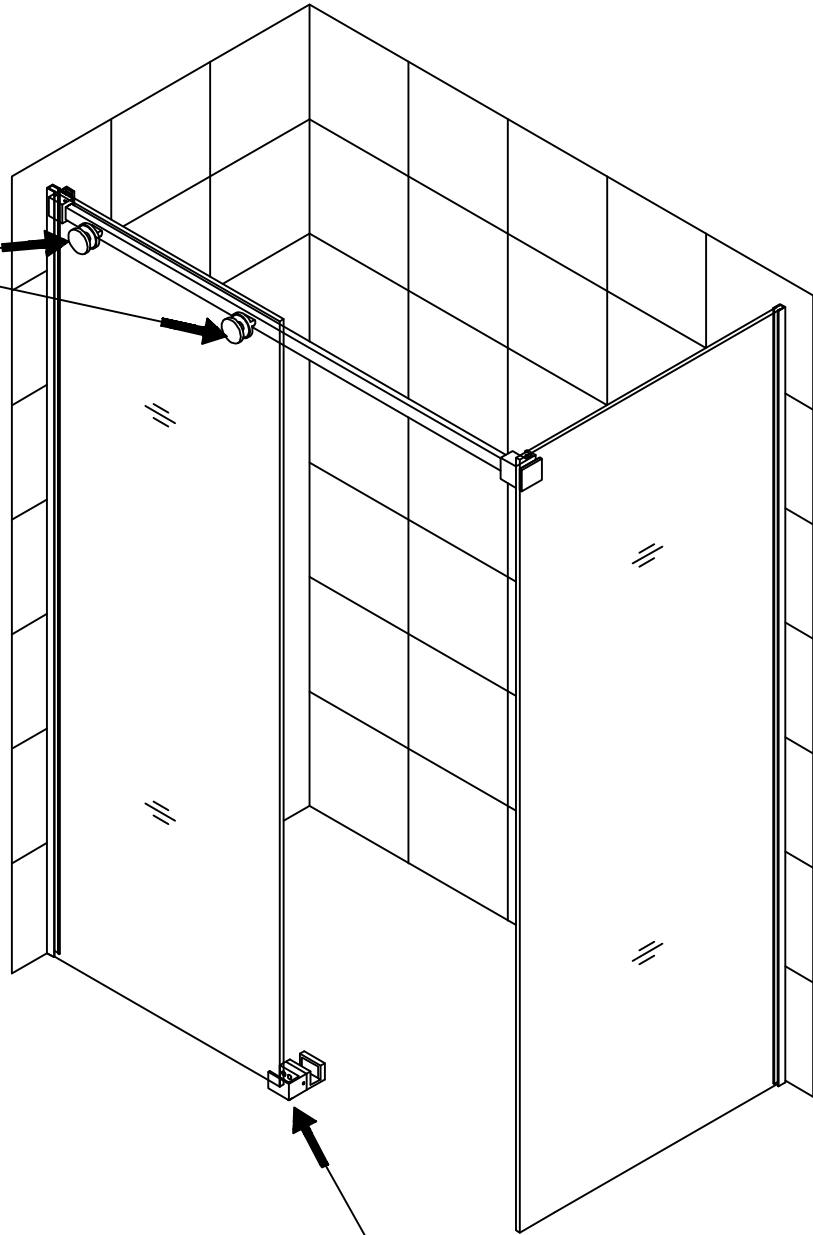


**Put the return glass panel into wall channel ,meanwhile ,installing the single plastic strip into wall channal.**

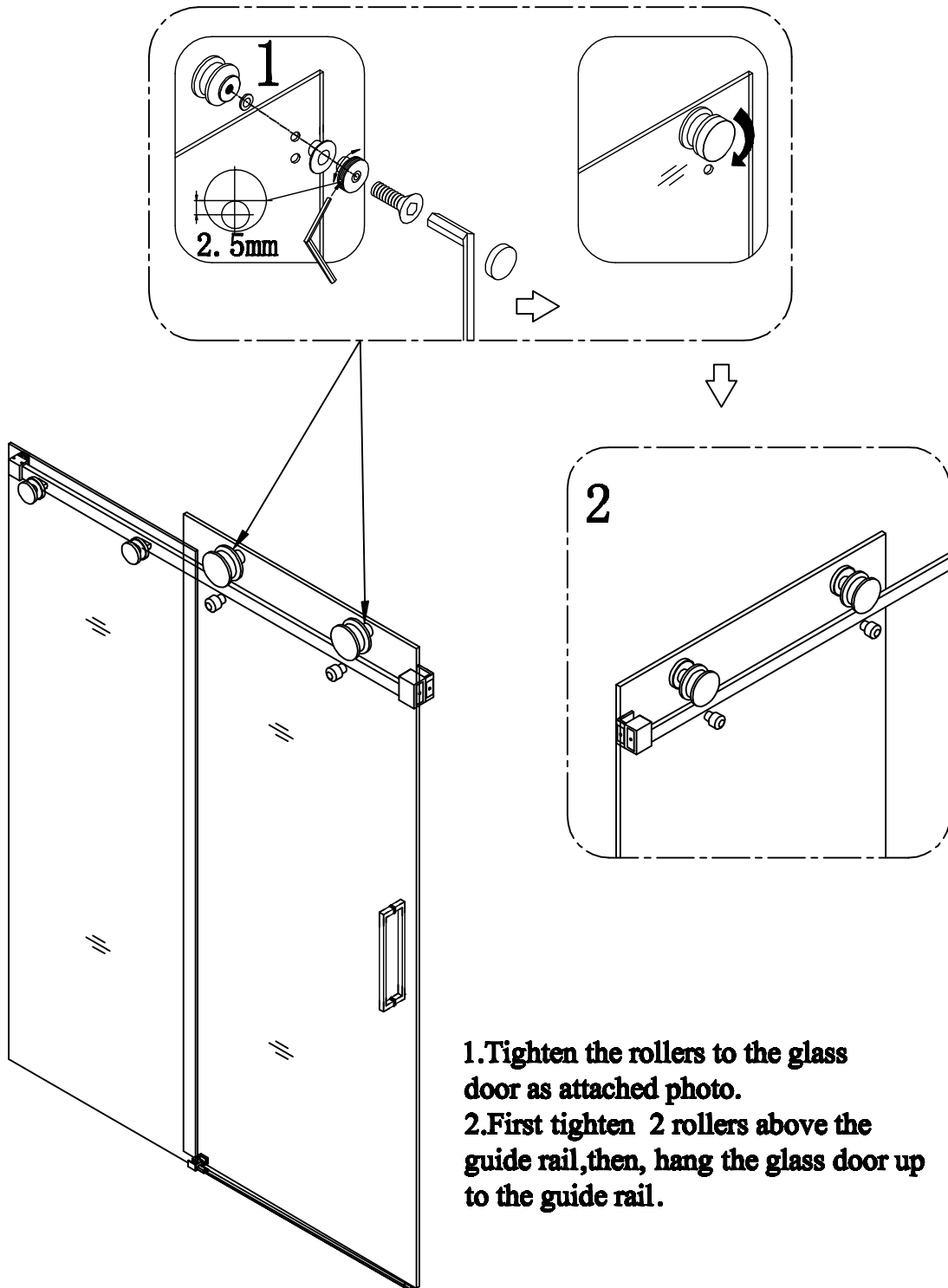


**1. Assemble the fixed glass on the rail care fully.**

**2. Assemble the Guide Block on the floor and adjust to a proper position.**



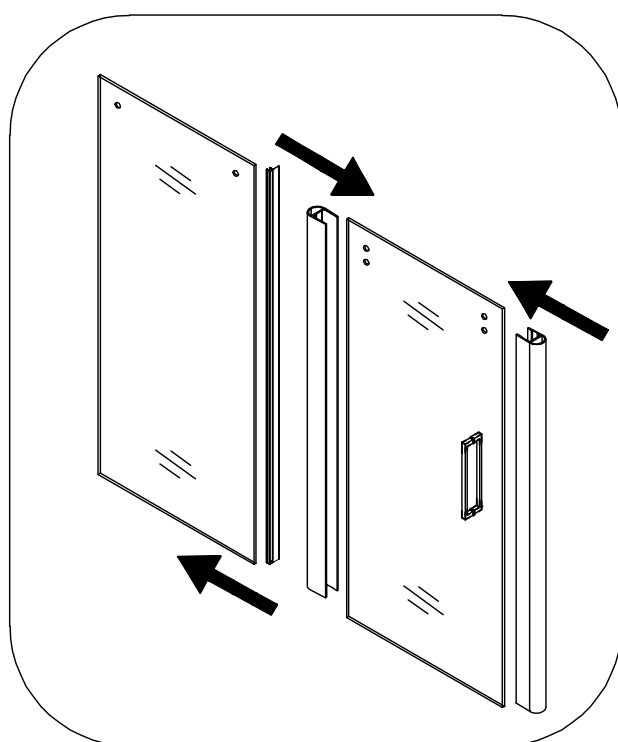
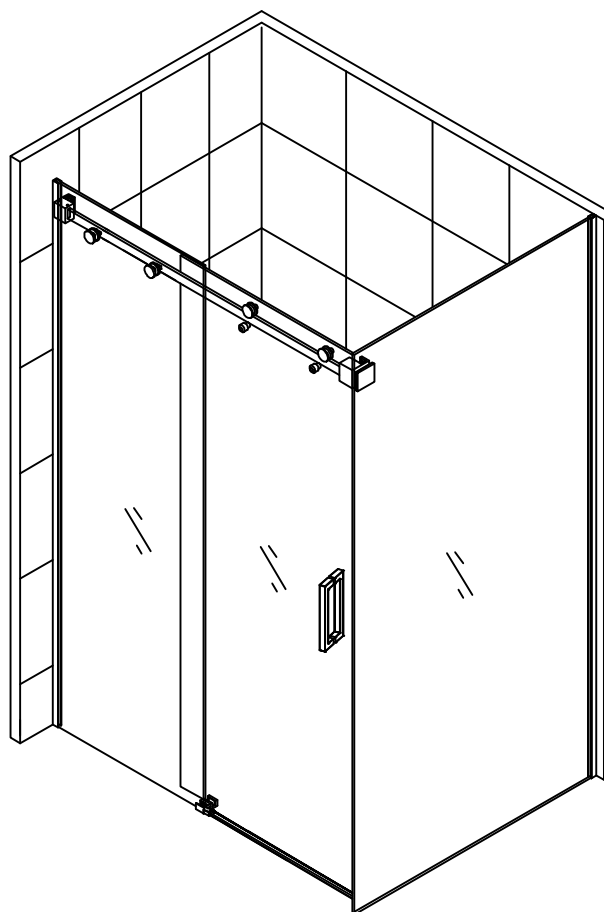
## Roller Installation

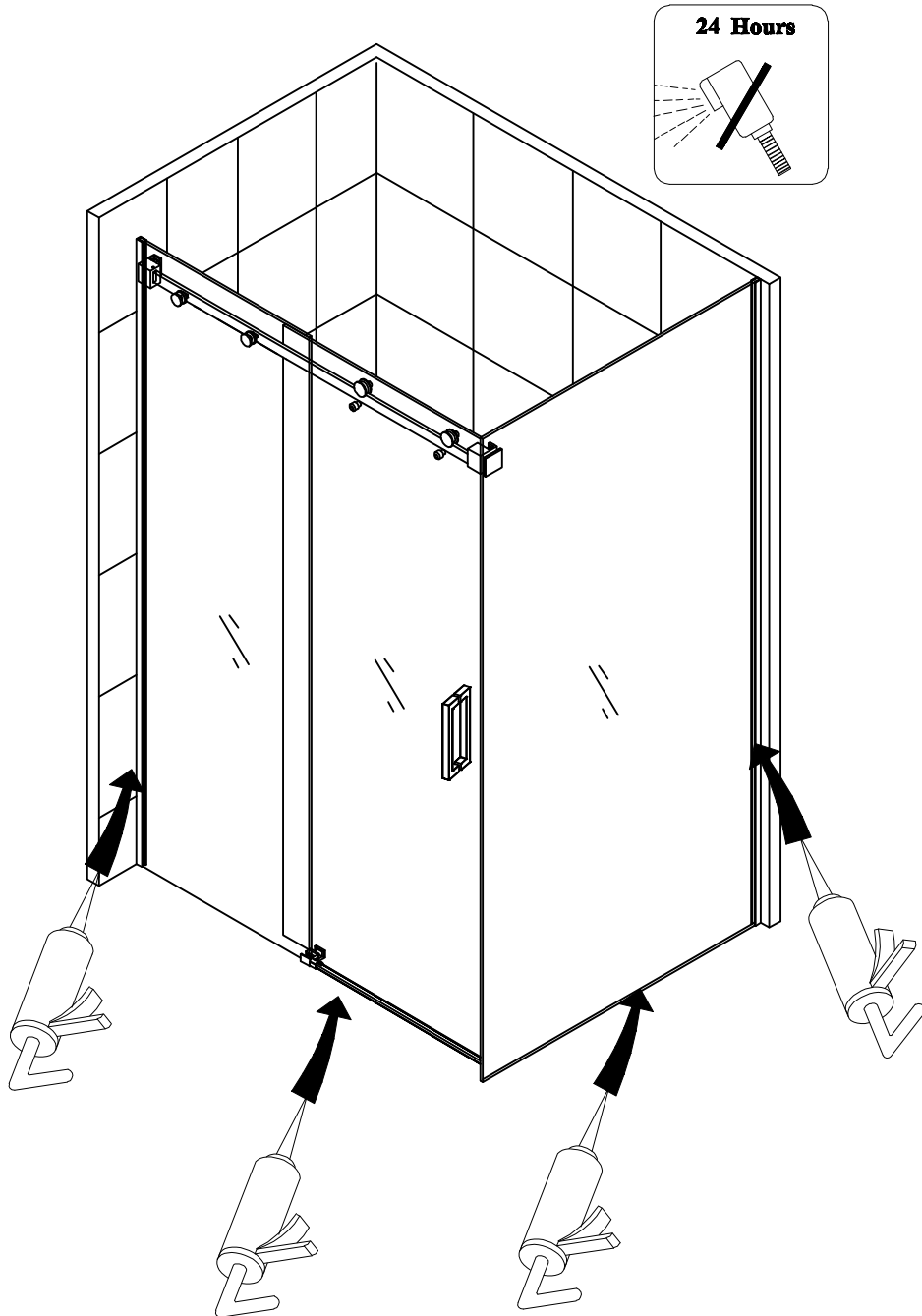


1. Tighten the rollers to the glass door as attached photo.
2. First tighten 2 rollers above the guide rail, then, hang the glass door up to the guide rail.

## Waterproof Strips Installation

**Press the Anti-water strip (F-shape) onto the vertical edge of the fixed panel. Also press the waterproof strip (U-shape) onto the vertical edge of the door glass.**



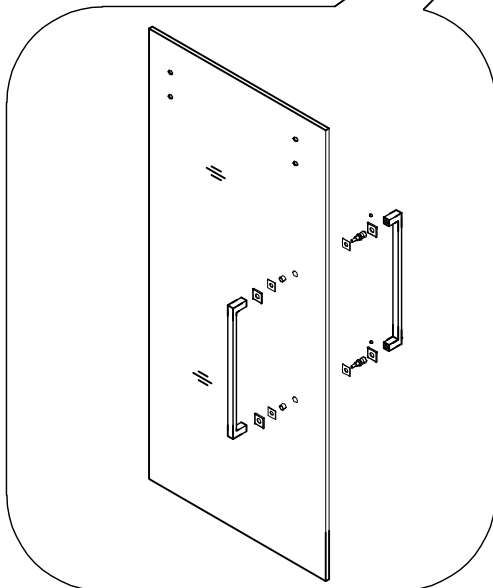
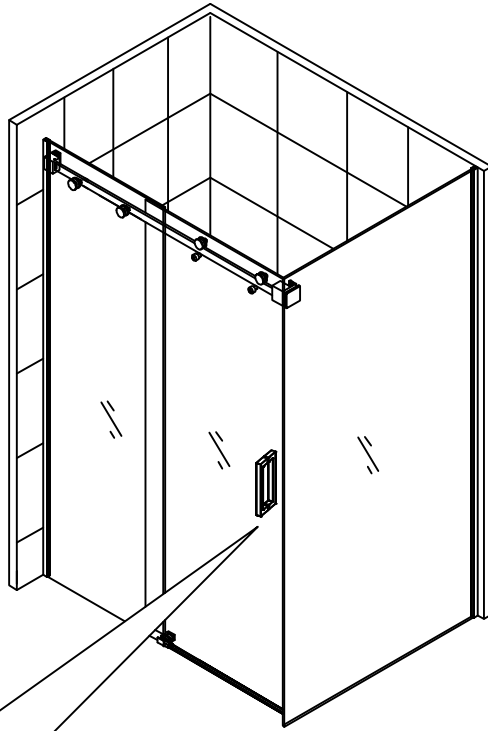


**Apply a good quality mildew-resistant silicone along the interior perimeter where the glass meets the wall and threshold, and also along the Anti-Splash Threshold .**

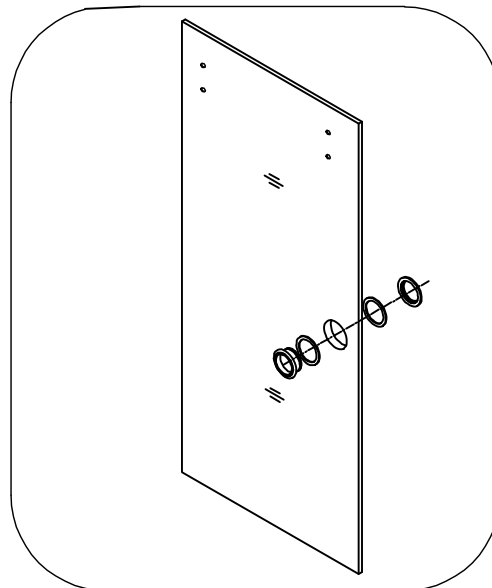
**Please allow 24 hours for the silicone to fully cure before using the shower.**

## Handle Installation

**Mount the Handle to the Glass door**



**The square handle is provided for front door which size is above 1150mm. Please refer to the left picture.**



**The embedded round handle is provided for front door which size is under 1150mm. Please refer to the right picture.**