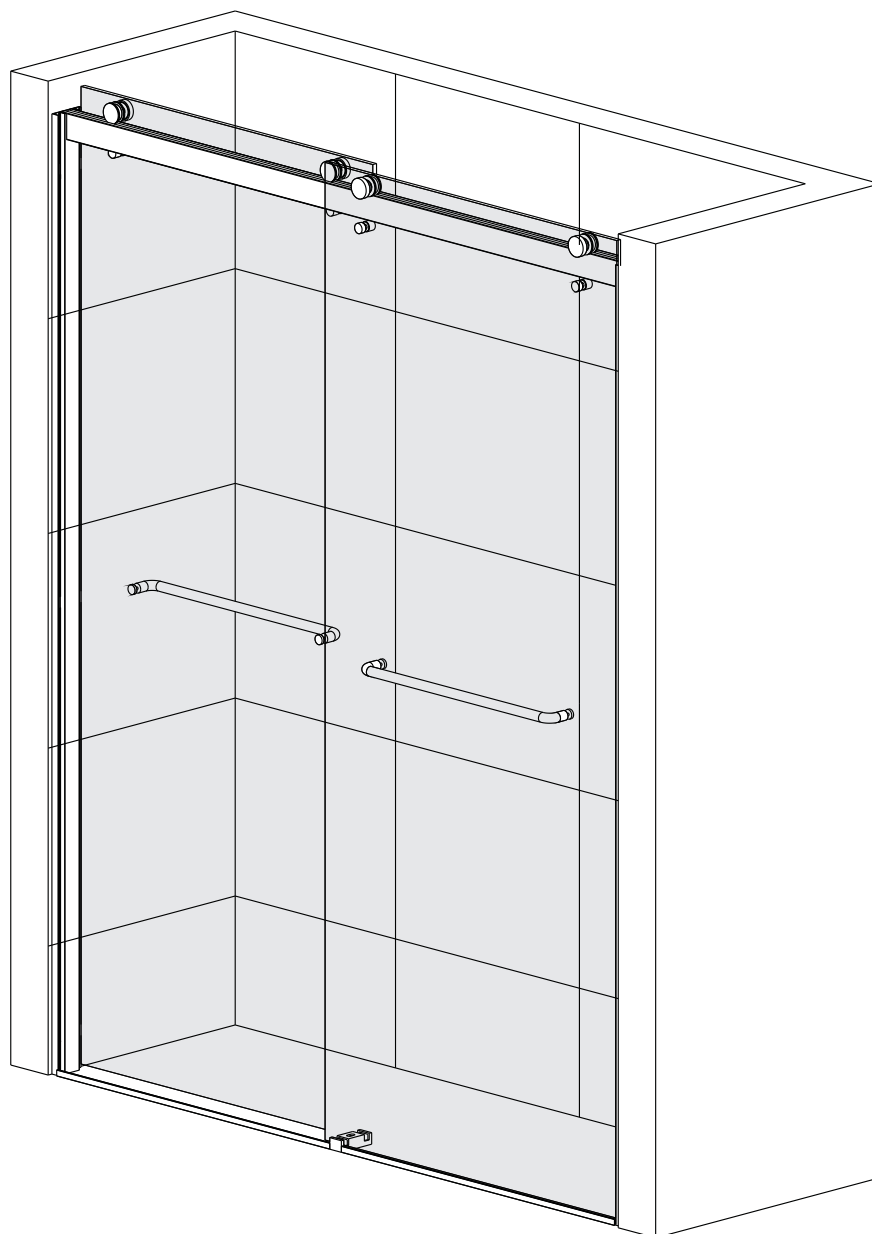


INSTRUCTION MANUAL



2 PEOPLE REQUIRED

***Please keep this manual and product code number for future reference
and for ordering replacement parts if necessary.***

GENERAL INSTRUCTIONS

- Read this manual carefully and completely before proceeding.
- It is recommended that you wear safety glasses at all times during the installation.

INSTALLATION OVER CERAMIC TILES

- If your shower door is to be installed over ceramic tiles, the tiles should lay completely under the wall jamb.
- Silicone should be used to seal the gap where the ceramic tiles meet the fixed panel.

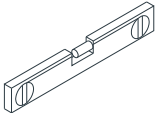
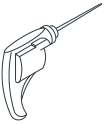
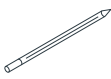

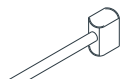

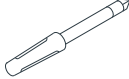

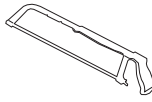

NOTICE

- Caulking: no sealant is required inside the shower, unless otherwise stated.
- Some models are equipped with clear sealing gaskets.

CARE FOR YOUR SHOWER DOOR

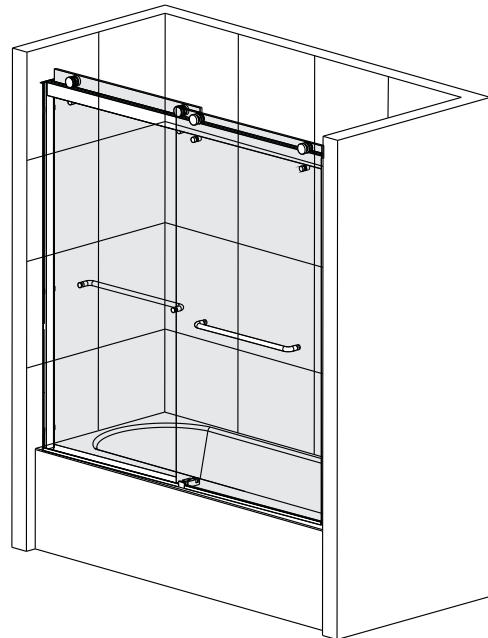
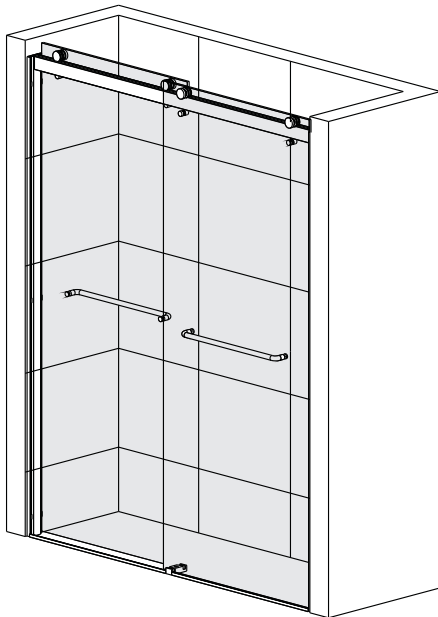
- Never use scouring powder pads or sharp instruments on metal pieces or glass panels.
An occasional wiping down with a mild soap diluted in water is all that is needed to keep the panels and metal parts looking new.
- We recommend wiping the glass panels with a squeegee after each use.

TOOLS REQUIRED

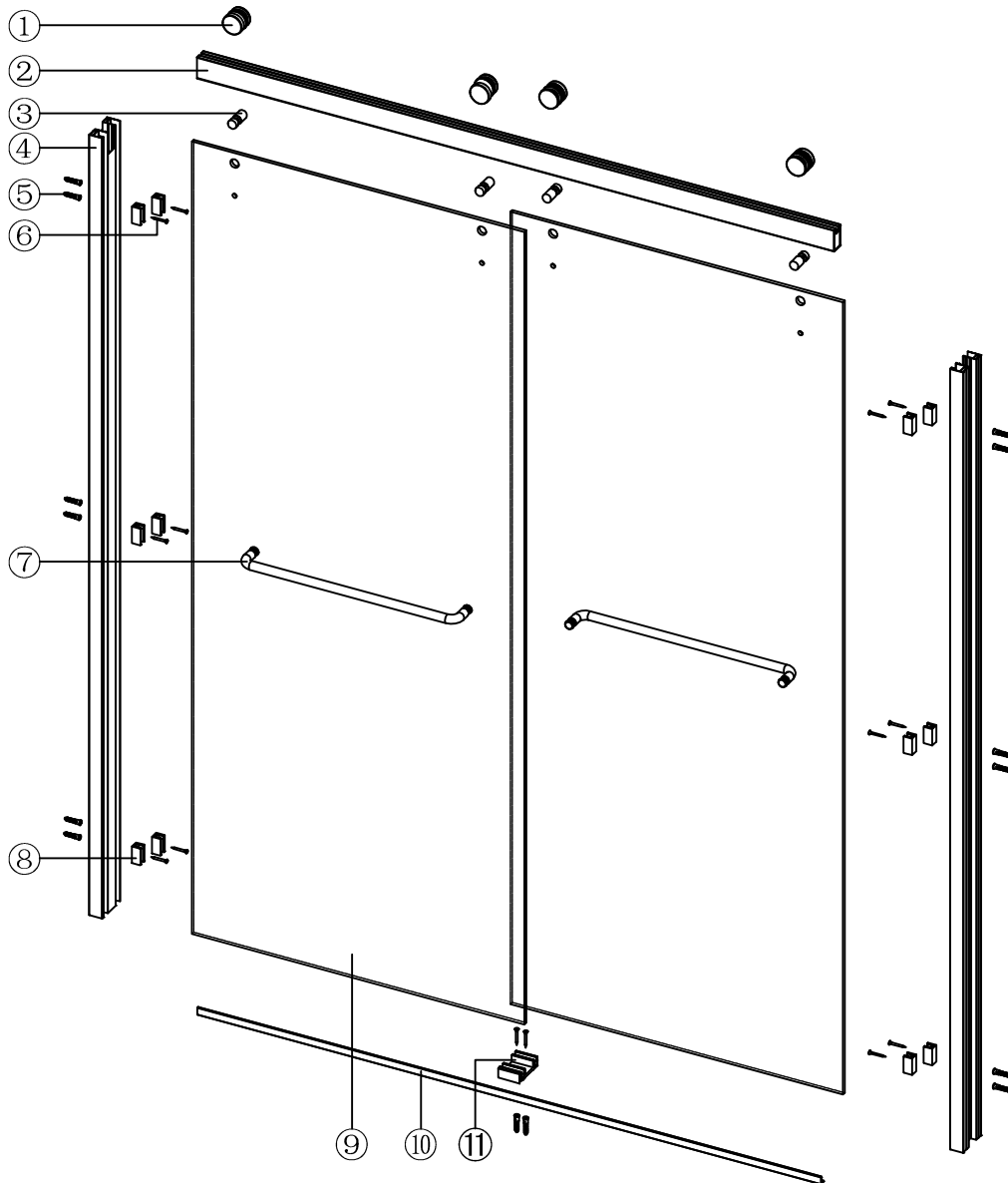
 SPIRIT LEVEL	 POWER DRILL	 PENCIL	 SILICONE	 MALLET
 TAPE MEASURE	 SCREW DRIVER	 6mm&3mm(1/4" & 1/8") DRILL BITS	 HACKSAW	 SAFETY GLASSES






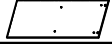

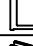



* Use a 6mm(1/4") drill bit for ceramic when drilling into ceramic tiles

CHOOSE A CONFIGURATION

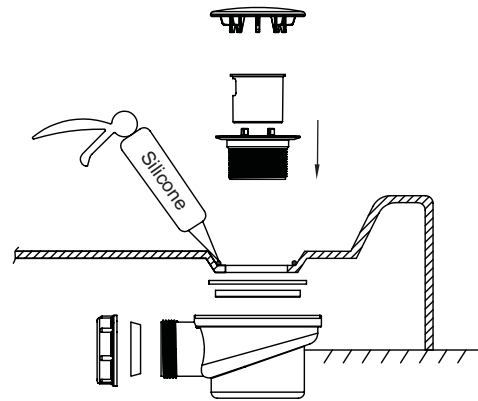
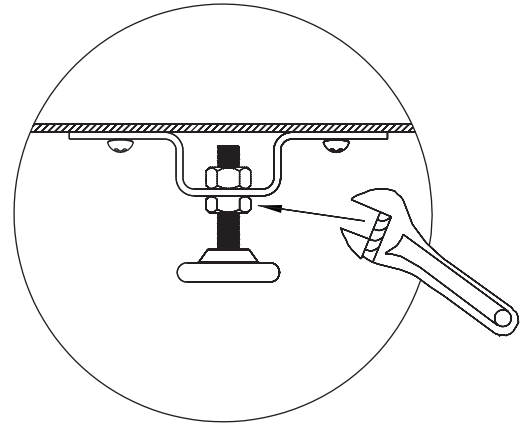
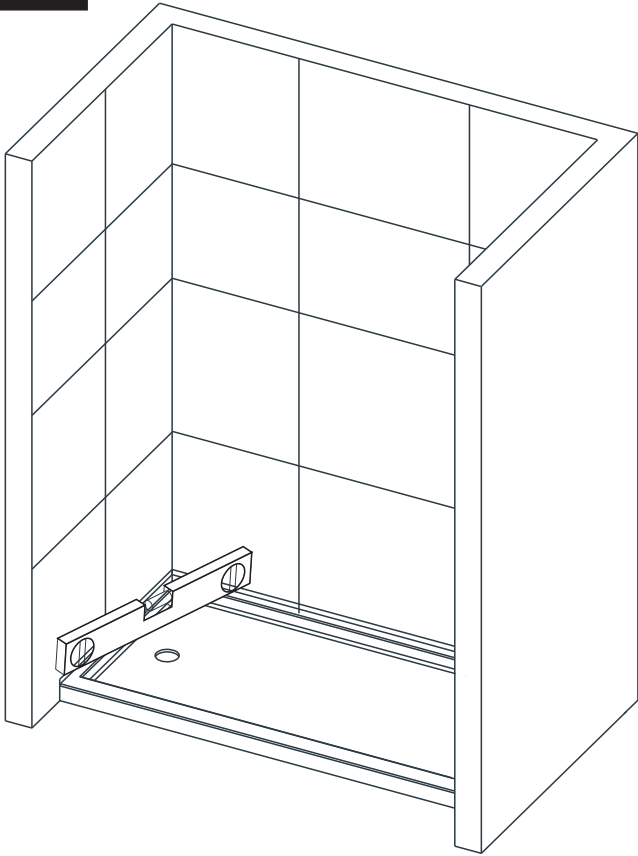


PARTSLISTING

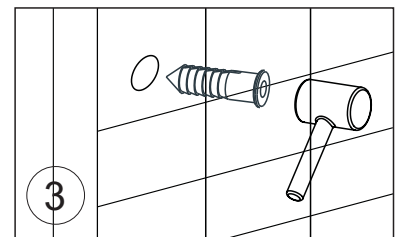
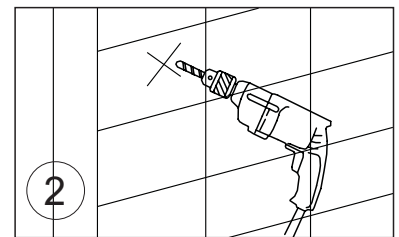
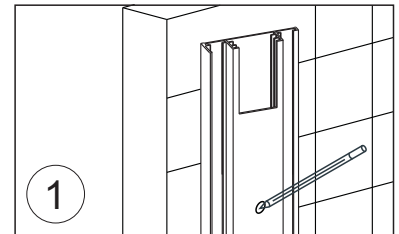
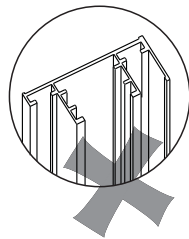
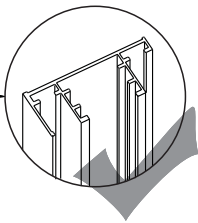
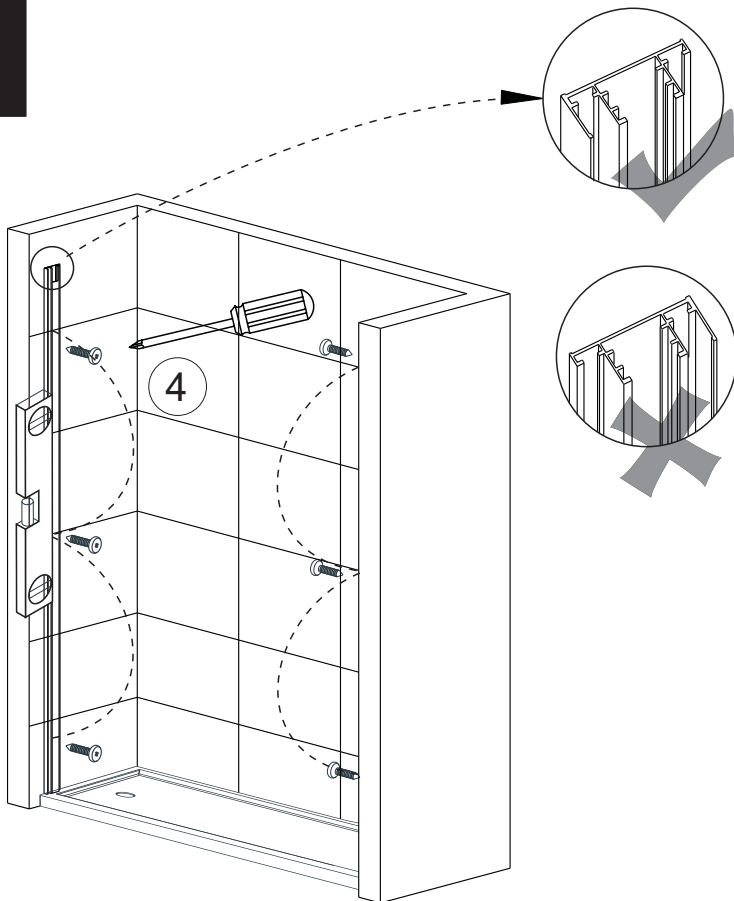


NO.	Name	Picture	Qty	NO.	Name	Picture	Qty
1	Ø45 Roller	 <small>Ø45 -10 Ø10 -10</small>	4	7	Towel bar	 <small>500mm</small>	2
2	Guide Rail		1	8	Anti Collision Block		12
3	Anti jumping knob	 <small>SF05-20-15</small>	4	9	Sliding door		2
4	Wall profile		2	10	Anti-splash threshold		1
5	6mm Wall plug		14	11	Guide block		1
6	screw ST4x30		14				

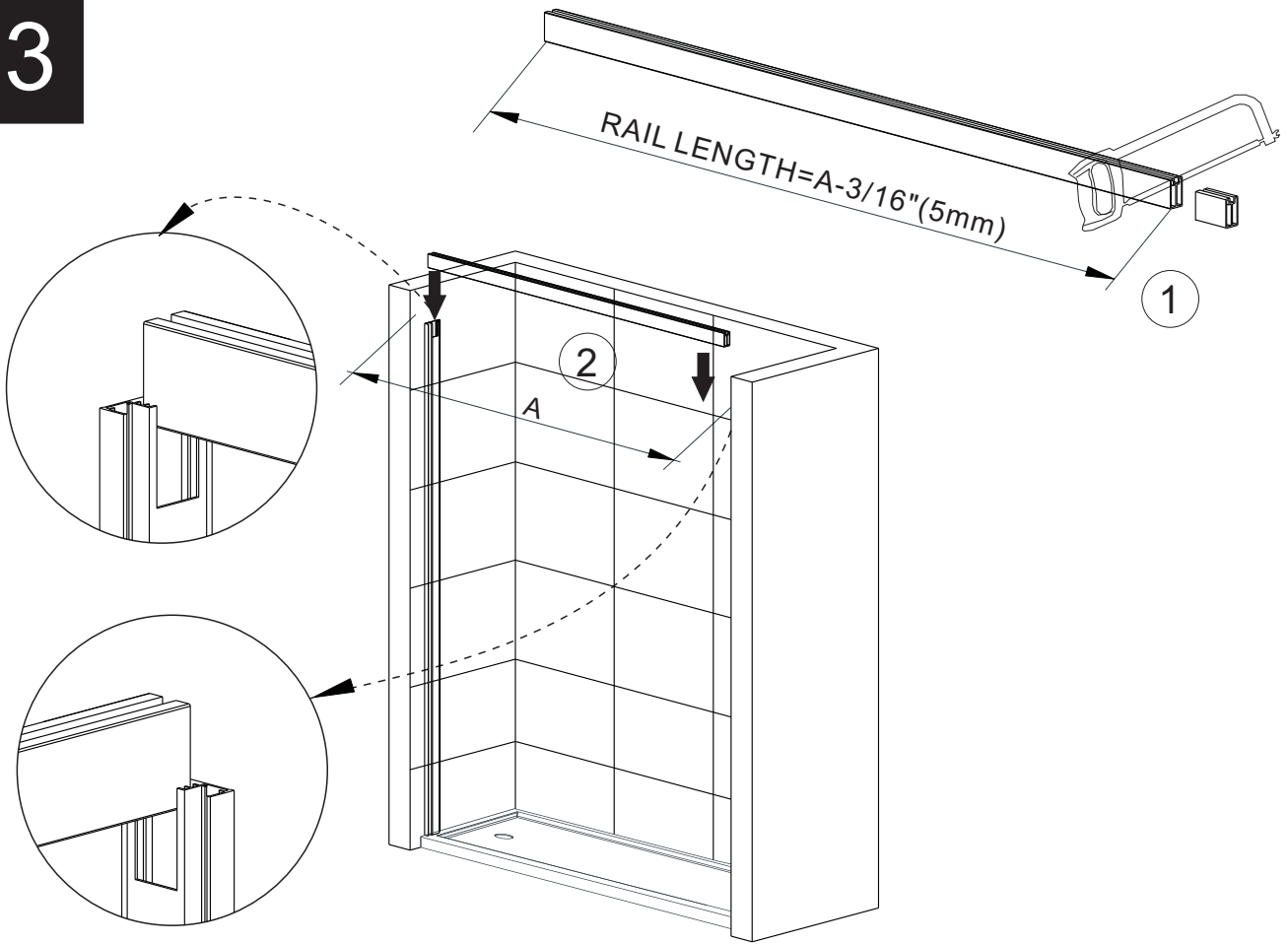
1



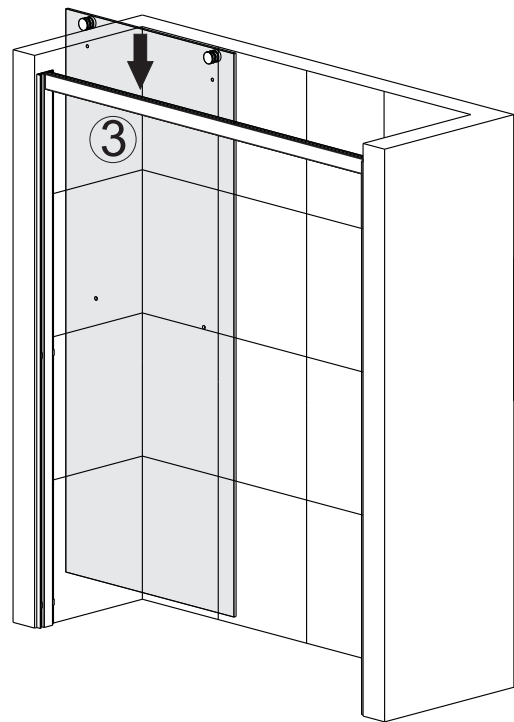
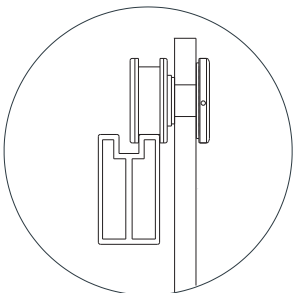
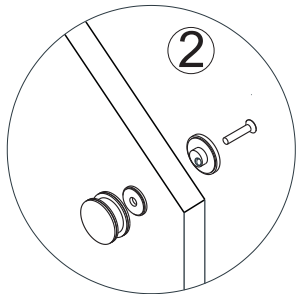
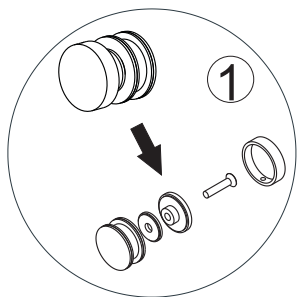
2



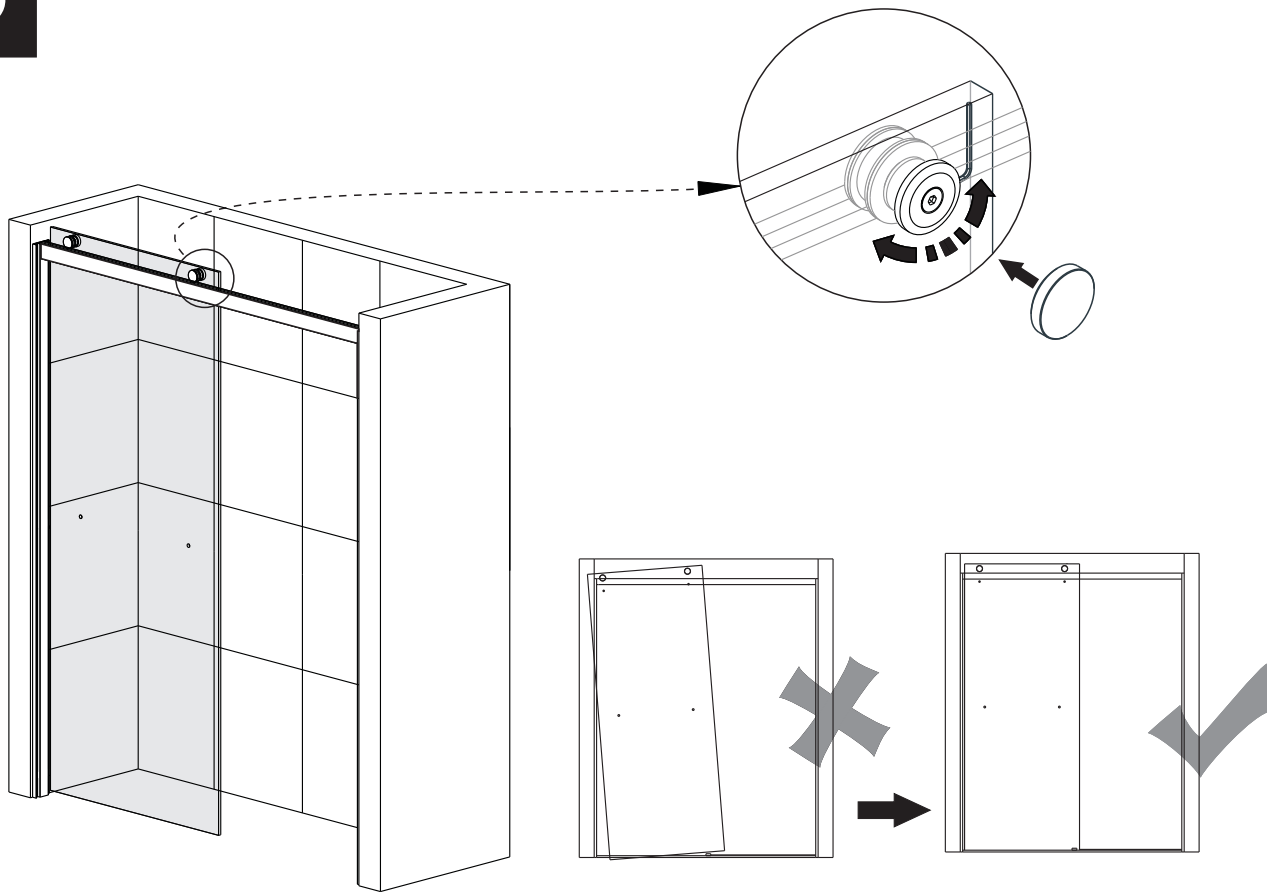
3



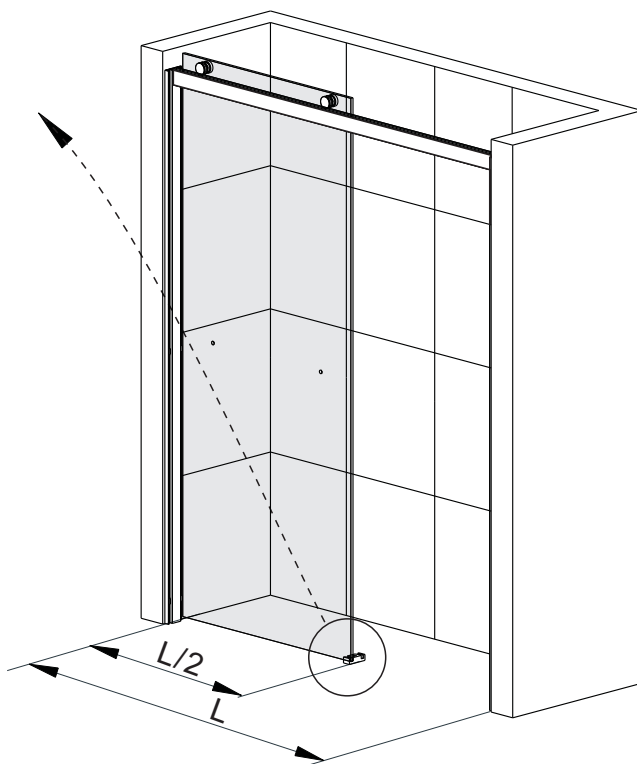
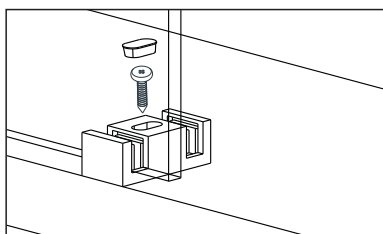
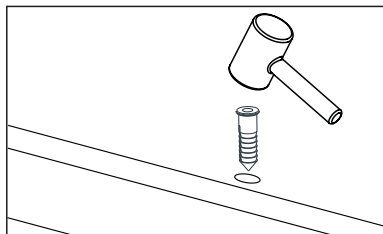
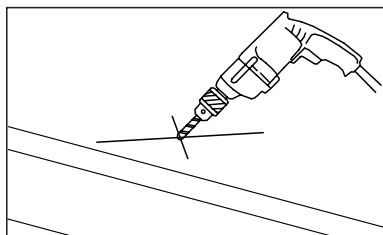
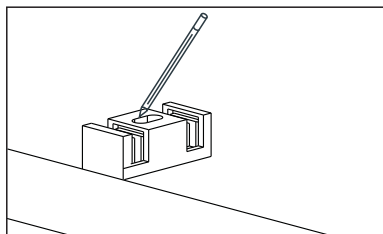
4



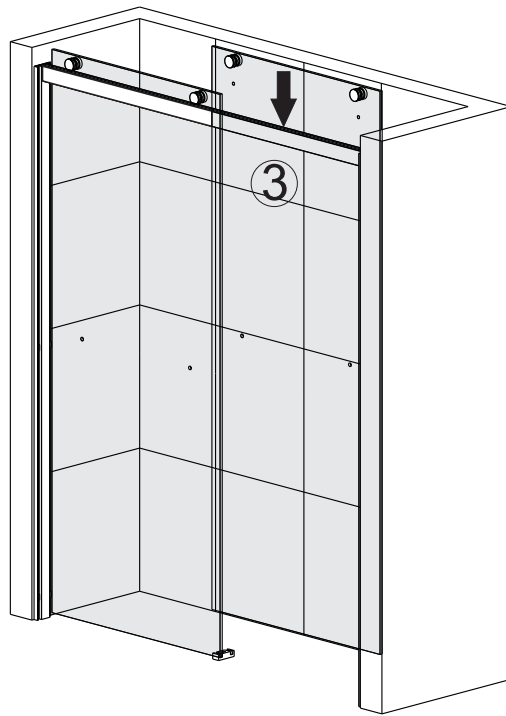
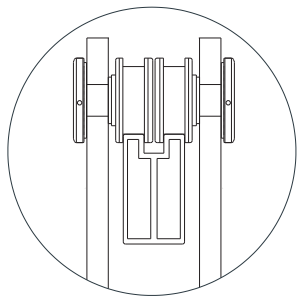
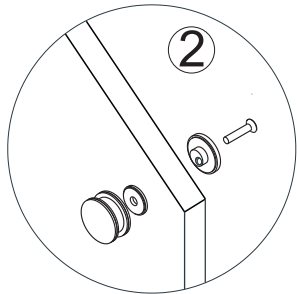
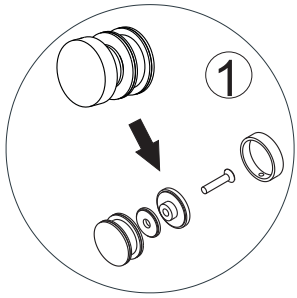
5



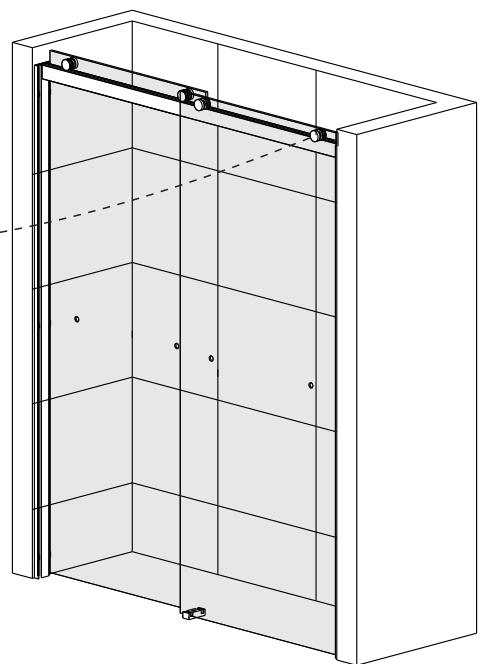
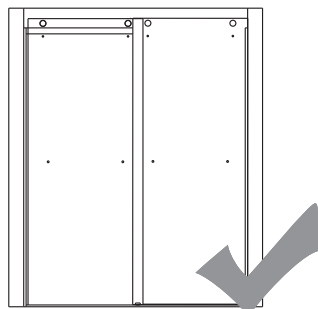
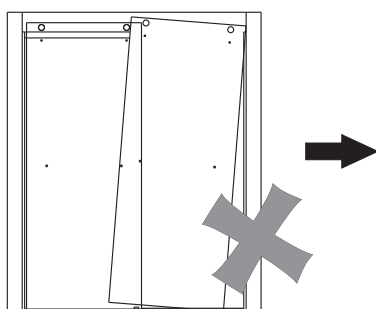
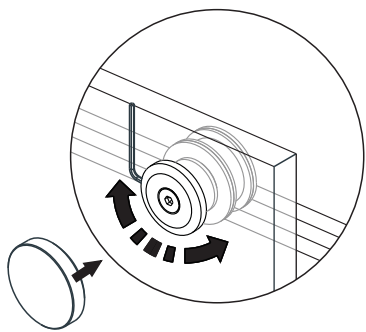
6



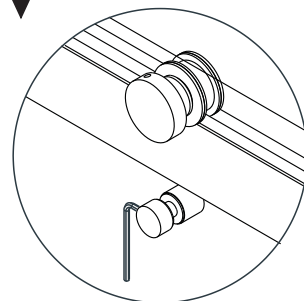
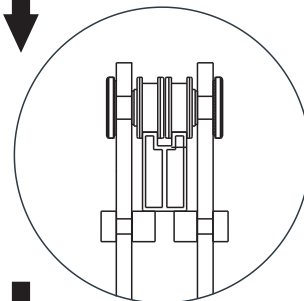
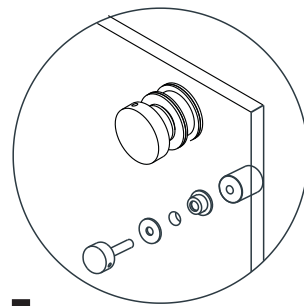
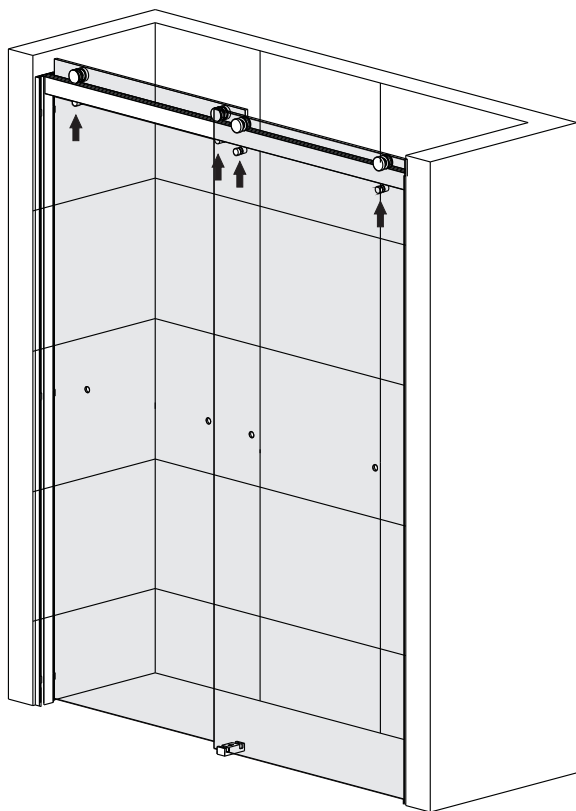
7



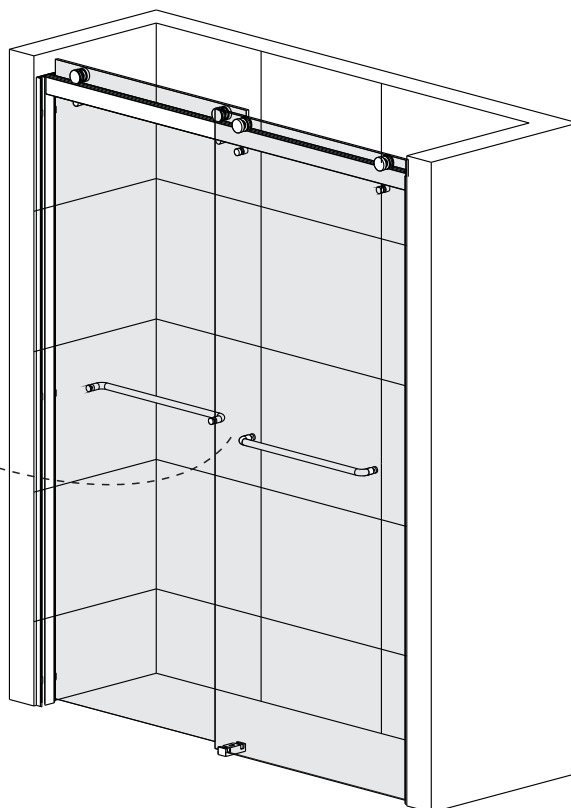
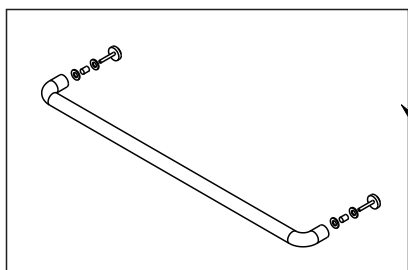
8



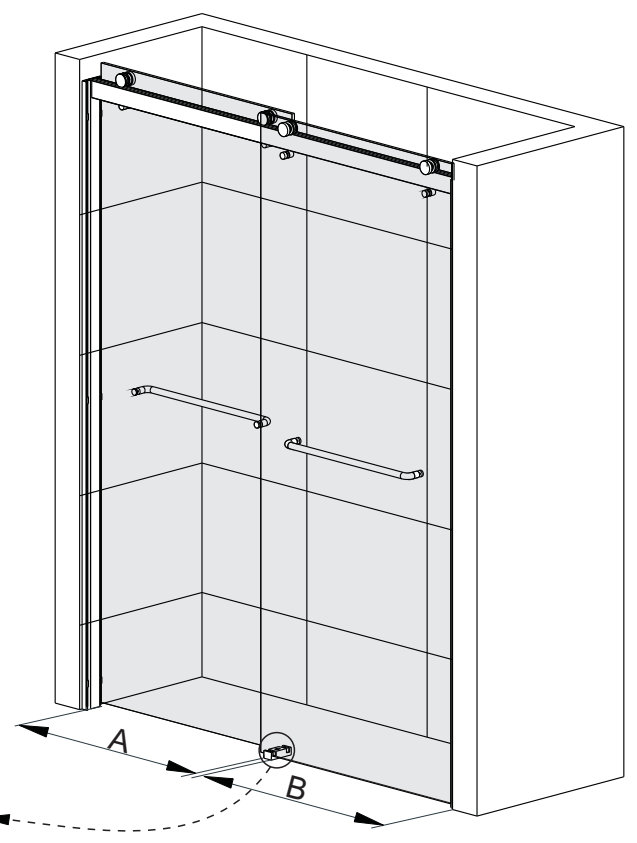
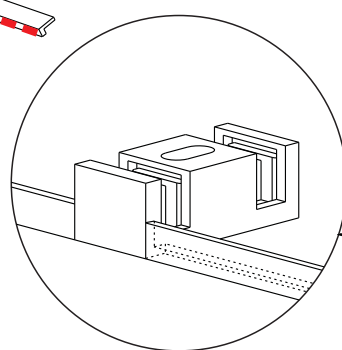
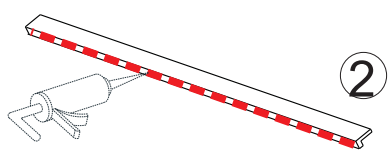
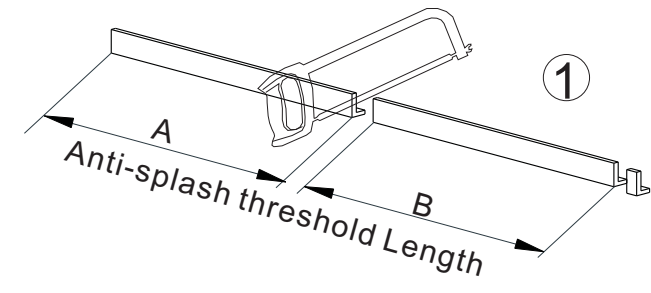
9



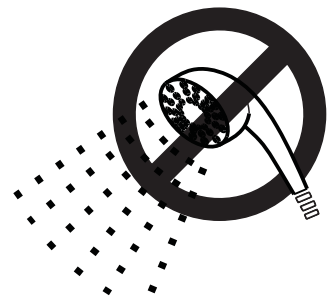
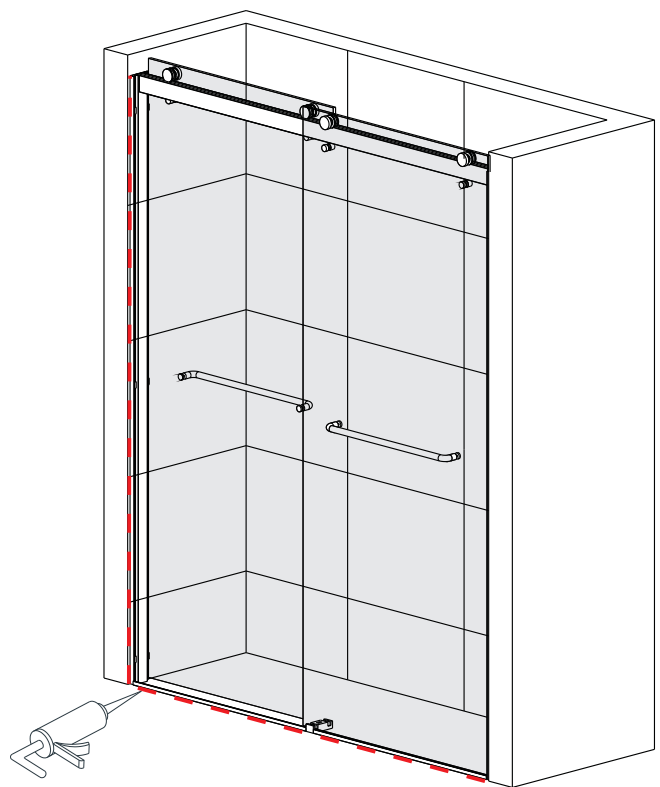
10



11



12



24 HOURS